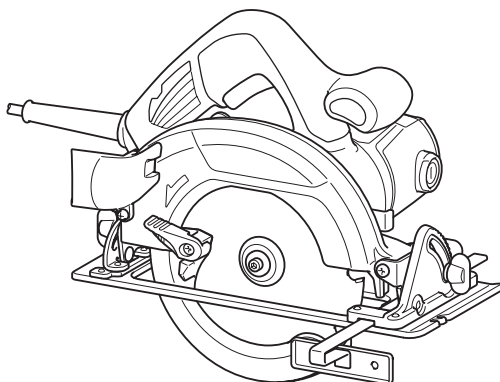
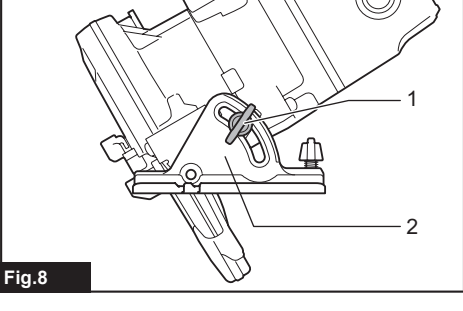
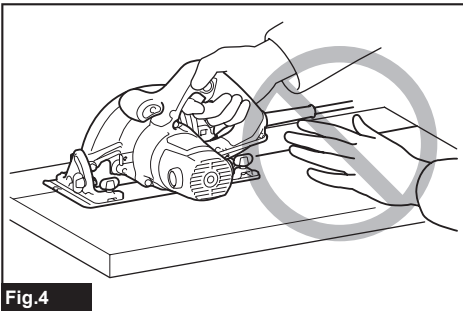
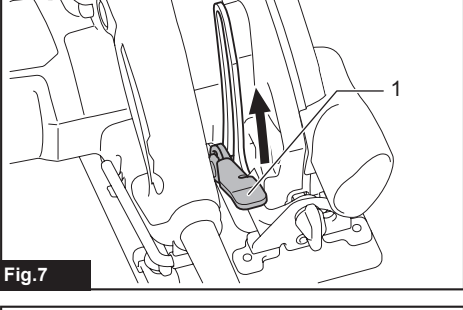
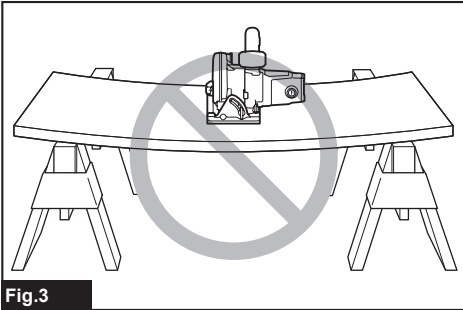
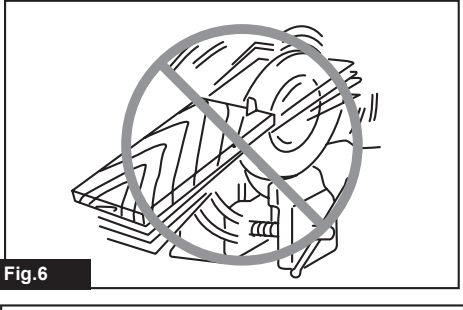
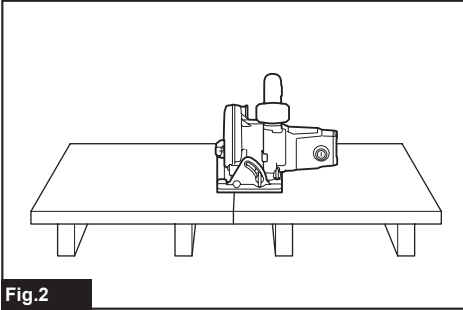
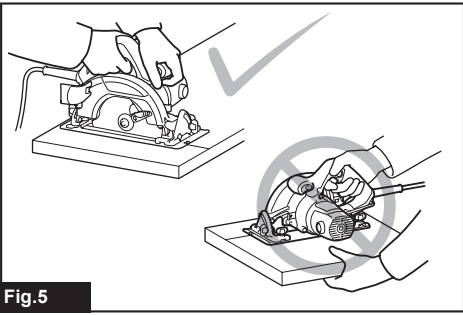
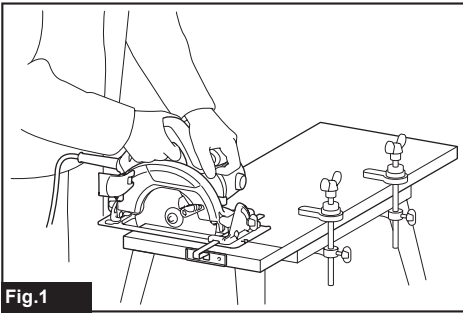




EN	Circular Saw	INSTRUCTION MANUAL	6
SV	Cirkelsåg	BRUKSANVISNING	11
NO	Sirkelsag	BRUKSANVISNING	17
FI	Pyörösaha	KÄYTTÖOHJE	23
LV	Ripzāģis	LIETOŠANAS INSTRUKCIJA	29
LT	Diskinis pjūklas	NAUDOJIMO INSTRUKCIJA	35
ET	Ketassaag	KASUTUSJUHEND	41
RU	Дисковая пила	РУКОВОДСТВО ПО ЭКСПЛУАТАЦИИ	47

HS6601





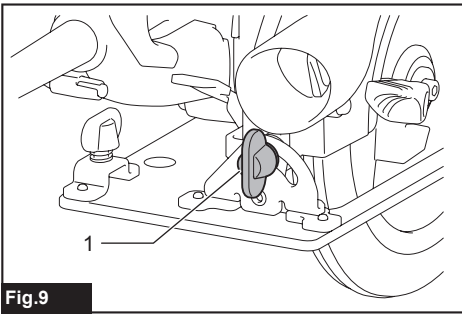


Fig.9

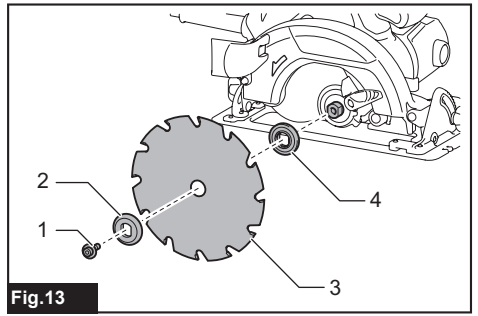


Fig.13

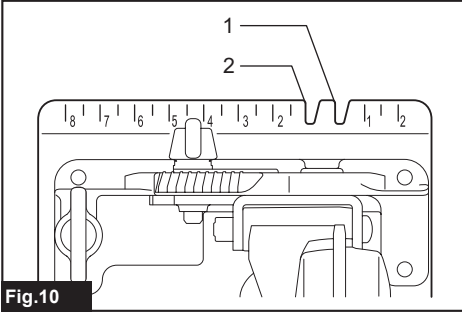


Fig.10

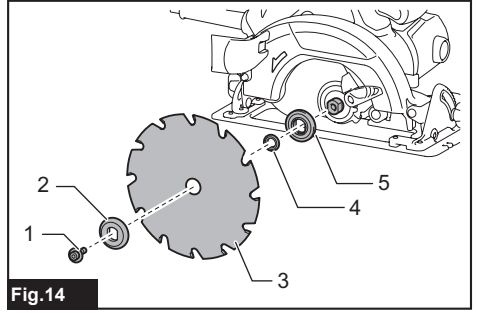


Fig.14

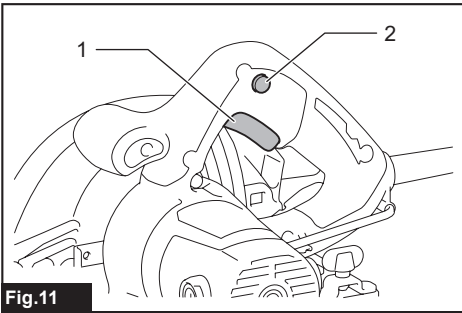


Fig.11

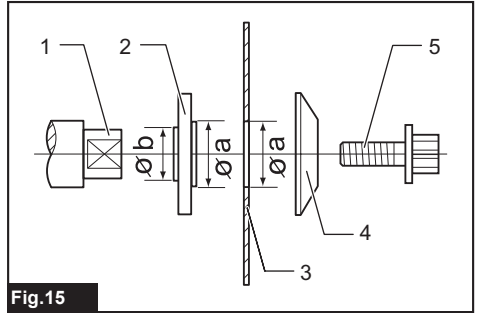


Fig.15

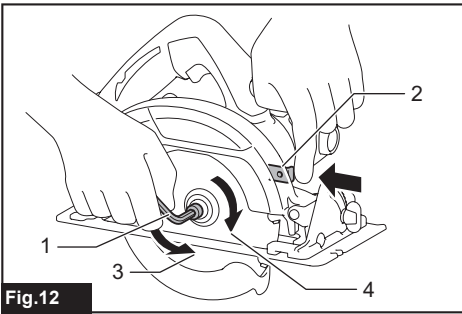


Fig.12

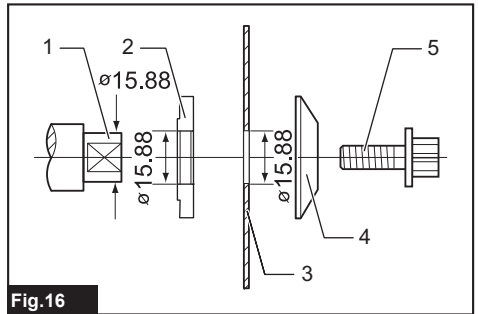
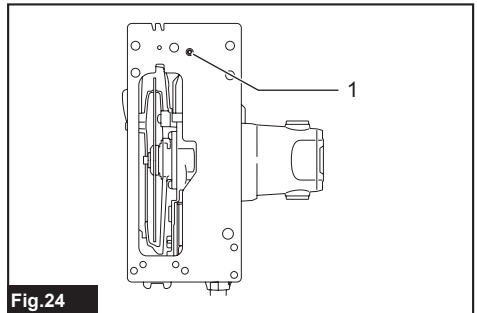
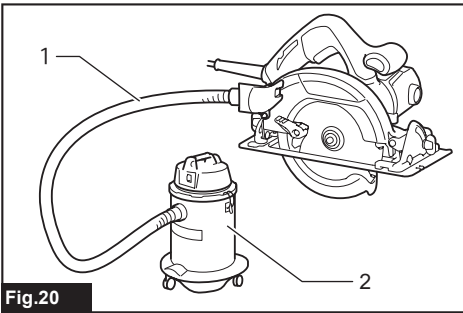
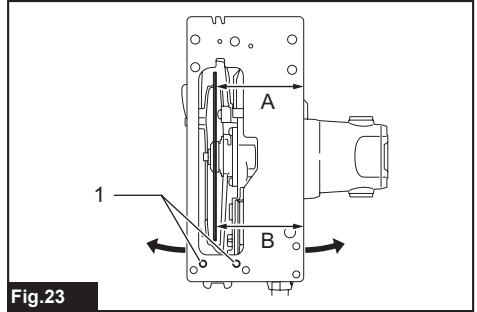
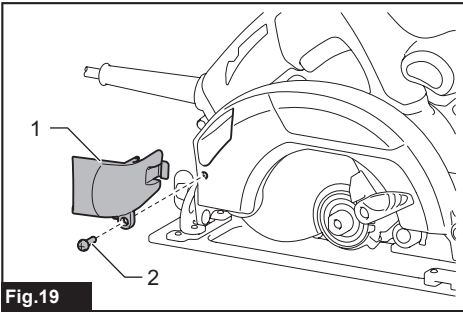
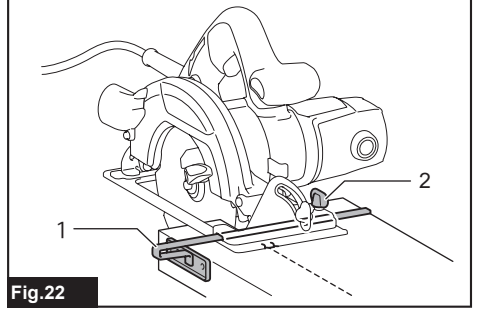
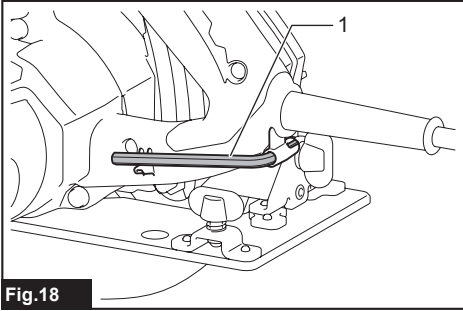
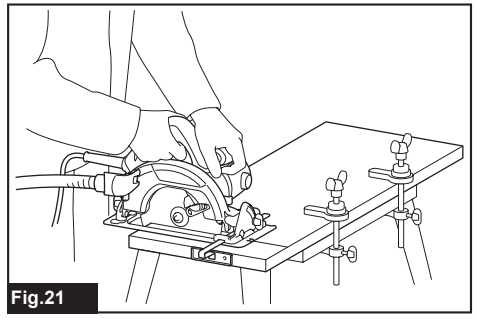
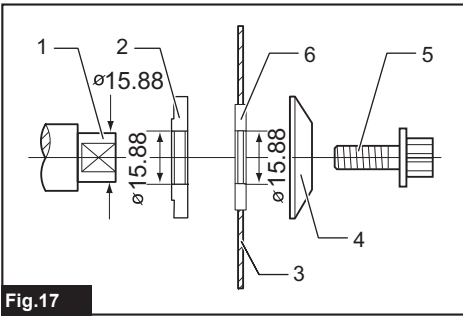


Fig.16



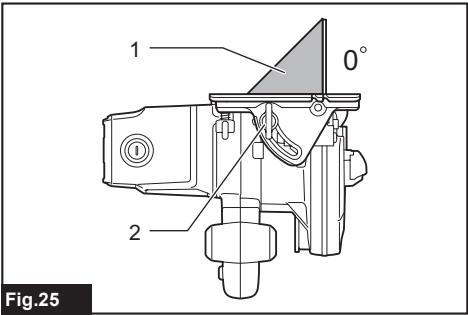


Fig.25

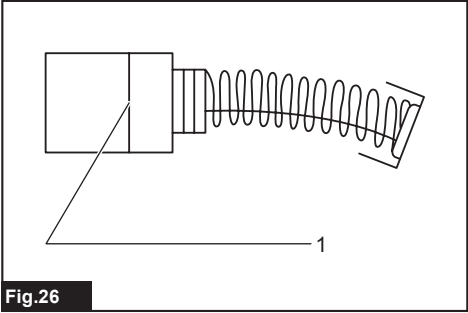


Fig.26

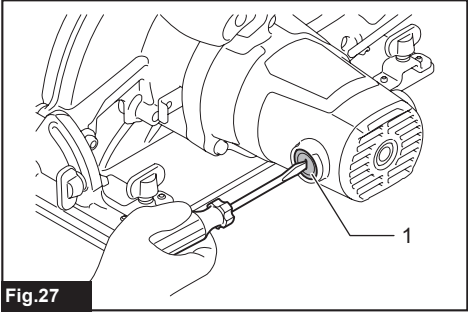


Fig.27

SPECIFICATIONS

Model:		HS6601
Blade diameter		165 mm
Max. Cutting depth	at 0°	54.5 mm
	at 45°	37.5 mm
No load speed		5,200 min ⁻¹
Overall length		296 mm
Net weight		3.7 kg
Safety class		□/II

- Due to our continuing program of research and development, the specifications herein are subject to change without notice.
- Specifications may differ from country to country.
- Weight according to EPTA-Procedure 01/2003

Intended use

The tool is intended for performing lengthways and crossways straight cuts and mitre cuts with angles in wood while in firm contact with the workpiece. With appropriate Makita genuine saw blades, other materials can also be sawed.

Power supply

The tool should be connected only to a power supply of the same voltage as indicated on the nameplate, and can only be operated on single-phase AC supply. They are double-insulated and can, therefore, also be used from sockets without earth wire.

Noise

The typical A-weighted noise level determined according to EN60745:

Sound pressure level (L_{pA}) : 87 dB(A)

Sound power level (L_{WA}) : 98 dB (A)

Uncertainty (K) : 3 dB(A)

⚠ WARNING: Wear ear protection.

Vibration

The vibration total value (tri-axial vector sum) determined according to EN60745:

Work mode: cutting wood

Vibration emission ($a_{h,w}$) : 2.5 m/s² or less

Uncertainty (K) : 1.5 m/s²

NOTE: The declared vibration emission value has been measured in accordance with the standard test method and may be used for comparing one tool with another.

NOTE: The declared vibration emission value may also be used in a preliminary assessment of exposure.

⚠ WARNING: The vibration emission during actual use of the power tool can differ from the declared emission value depending on the ways in which the tool is used.

⚠ WARNING: Be sure to identify safety measures to protect the operator that are based on an estimation of exposure in the actual conditions of use (taking account of all parts of the operating cycle such as the times when the tool is switched off and when it is running idle in addition to the trigger time).

EC Declaration of Conformity

For European countries only

Makita declares that the following Machine(s):

Designation of Machine: Circular Saw

Model No./ Type: HS6601

Conforms to the following European Directives:

2006/42/EC

They are manufactured in accordance with the following standard or standardized documents: EN60745

The technical file in accordance with 2006/42/EC is available from:

Makita, Jan-Baptist Vinkstraat 2, 3070, Belgium
24.4.2015



Yasushi Fukaya

Director

Makita, Jan-Baptist Vinkstraat 2, 3070, Belgium

General power tool safety warnings

⚠ WARNING: Read all safety warnings and all instructions. Failure to follow the warnings and instructions may result in electric shock, fire and/or serious injury.

Save all warnings and instructions for future reference.

The term "power tool" in the warnings refers to your mains-operated (corded) power tool or battery-operated (cordless) power tool.

Circular saw safety warnings

Cutting procedures

1. **⚠ DANGER:** Keep hands away from cutting area and the blade. Keep your second hand on auxiliary handle, or motor housing. If both hands are holding the saw, they cannot be cut by the blade.
2. **Do not reach underneath the workpiece.** The guard cannot protect you from the blade below the workpiece.
3. **Adjust the cutting depth to the thickness of the workpiece.** Less than a full tooth of the blade teeth should be visible below the workpiece.
4. **Never hold piece being cut in your hands or across your leg. Secure the workpiece to a stable platform.** It is important to support the work properly to minimize body exposure, blade binding, or loss of control.

► Fig.1

5. **Hold the power tool by insulated gripping surfaces only, when performing an operation where the cutting tool may contact hidden wiring or its own cord.** Contact with a "live" wire will also make exposed metal parts of the power tool "live" and could give the operator an electric shock.
6. **When ripping, always use a rip fence or straight edge guide.** This improves the accuracy of cut and reduces the chance of blade binding.
7. **Always use blades with correct size and shape (diamond versus round) of arbour holes.** Blades that do not match the mounting hardware of the saw will run eccentrically, causing loss of control.
8. **Never use damaged or incorrect blade washers or bolt.** The blade washers and bolt were specially designed for your saw, for optimum performance and safety of operation.

Kickback causes and related warnings

- kickback is a sudden reaction to a pinched, bound or misaligned saw blade, causing an uncontrolled saw to lift up and out of the workpiece toward the operator;
- when the blade is pinched or bound tightly by the kerf closing down, the blade stalls and the motor reaction drives the unit rapidly back toward the operator;
- if the blade becomes twisted or misaligned in the cut, the teeth at the back edge of the blade can dig into the top surface of the wood causing the blade to climb out of the kerf and jump back toward the operator.

Kickback is the result of saw misuse and/or incorrect operating procedures or conditions and can be avoided by taking proper precautions as given below.

1. **Maintain a firm grip with both hands on the saw and position your arms to resist kickback forces. Position your body to either side of the blade, but not in line with the blade.** Kickback could cause the saw to jump backwards, but kickback forces can be controlled by the operator, if proper precautions are taken.

2. **When blade is binding, or when interrupting a cut for any reason, release the trigger and hold the saw motionless in the material until the blade comes to a complete stop. Never attempt to remove the saw from the work or pull the saw backward while the blade is in motion or kickback may occur.** Investigate and take corrective actions to eliminate the cause of blade binding.
3. **When restarting a saw in the workpiece, centre the saw blade in the kerf and check that saw teeth are not engaged into the material.** If saw blade is binding, it may walk up or kickback from the workpiece as the saw is restarted.
4. **Support large panels to minimise the risk of blade pinching and kickback.** Large panels tend to sag under their own weight. Supports must be placed under the panel on both sides, near the line of cut and near the edge of the panel.

► Fig.2

► Fig.3

5. **Do not use dull or damaged blades.** Unsharpened or improperly set blades produce narrow kerf causing excessive friction, blade binding and kickback.
6. **Blade depth and bevel adjusting locking levers must be tight and secure before making cut.** If blade adjustment shifts while cutting, it may cause binding and kickback.
7. **Use extra caution when sawing into existing walls or other blind areas.** The protruding blade may cut objects that can cause kickback.
8. **ALWAYS hold the tool firmly with both hands. NEVER place your hand, leg or any part of your body under the tool base or behind the saw, especially when making cross-cuts.** If kickback occurs, the saw could easily jump backwards over your hand, leading to serious personal injury.

► Fig.4

9. **Never force the saw. Push the saw forward at a speed so that the blade cuts without slowing.** Forcing the saw can cause uneven cuts, loss of accuracy, and possible kickback.

Lower guard function

1. **Check lower guard for proper closing before each use. Do not operate the saw if lower guard does not move freely and close instantly. Never clamp or tie the lower guard into the open position.** If saw is accidentally dropped, lower guard may be bent. Raise the lower guard with the retracting handle and make sure it moves freely and does not touch the blade or any other part, in all angles and depths of cut.
2. **Check the operation of the lower guard spring. If the guard and the spring are not operating properly, they must be serviced before use.** Lower guard may operate sluggishly due to damaged parts, gummy deposits, or a build-up of debris.
3. **Lower guard may be retracted manually only for special cuts such as "plunge cuts" and "compound cuts". Raise lower guard by retracting handle and as soon as blade enters the material, the lower guard must be released.** For all other sawing, the lower guard should operate automatically.

4. **Always observe that the lower guard is covering the blade before placing saw down on bench or floor.** An unprotected, coasting blade will cause the saw to walk backwards, cutting whatever is in its path. Be aware of the time it takes for the blade to stop after switch is released.
5. **To check lower guard, open lower guard by hand, then release and watch guard closure. Also check to see that retracting handle does not touch tool housing.** Leaving blade exposed is VERY DANGEROUS and can lead to serious personal injury.

Additional safety warnings

1. **Use extra caution when cutting damp wood, pressure treated lumber, or wood containing knots.** Maintain smooth advancement of tool without decrease in blade speed to avoid overheating the blade tips.
2. **Do not attempt to remove cut material when blade is moving. Wait until blade stops before grasping cut material.** Blades coast after turn off.
3. **Avoid cutting nails. Inspect for and remove all nails from lumber before cutting.**
4. **Place the wider portion of the saw base on that part of the workpiece which is solidly supported, not on the section that will fall off when the cut is made. If the workpiece is short or small, clamp it down. DO NOT TRY TO HOLD SHORT PIECES BY HAND!**

► Fig.5

5. **Before setting the tool down after completing a cut, be sure that the guard has closed and the blade has come to a complete stop.**
6. **Never attempt to saw with the circular saw held upside down in a vise. This is extremely dangerous and can lead to serious accidents.**

► Fig.6

7. **Some material contains chemicals which may be toxic. Take caution to prevent dust inhalation and skin contact. Follow material supplier safety data.**
8. **Do not stop the blades by lateral pressure on the saw blade.**
9. **Do not use any abrasive wheels.**
10. **Only use the saw blade with the diameter that is marked on the tool or specified in the manual.** Use of an incorrectly sized blade may affect the proper guarding of the blade or guard operation which could result in serious personal injury.
11. **Keep blade sharp and clean.** Gum and wood pitch hardened on blades slows saw and increases potential for kickback. Keep blade clean by first removing it from tool, then cleaning it with gum and pitch remover, hot water or kerosene. Never use gasoline.
12. **Wear a dust mask and hearing protection when use the tool.**

SAVE THESE INSTRUCTIONS.

⚠WARNING: DO NOT let comfort or familiarity with product (gained from repeated use) replace strict adherence to safety rules for the subject product. MISUSE or failure to follow the safety rules stated in this instruction manual may cause serious personal injury.

FUNCTIONAL DESCRIPTION

⚠CAUTION: Always be sure that the tool is switched off and unplugged before adjusting or checking function on the tool.

Adjusting depth of cut

⚠CAUTION: After adjusting the depth of cut, always tighten the lever securely.

► Fig.7: 1. Lever

Loosen the lever on the depth guide and move the base up or down. At the desired depth of cut, secure the base by tightening the lever.

For cleaner, safer cuts, set cut depth so that no more than one blade tooth projects below workpiece. Using proper cut depth helps to reduce potential for dangerous KICKBACKS which can cause personal injury.

Bevel cutting

► Fig.8: 1. Clamping screw 2. Bevel scale plate

► Fig.9: 1. Clamping screw

Loosen the clamping screws. Set for the desired angle (0° - 45°) by tilting accordingly, then tighten the clamping screws securely.

Sighting

► Fig.10: 1. Cutting line (0° position) 2. Cutting line (45° position)

For straight cuts, align the 0° position on the front of the base with your cutting line. For 45° bevel cuts, align the 45° position with it.

Switch action

⚠WARNING: Before plugging in the tool, always check to see that the switch trigger actuates properly and returns to the "OFF" position when released.

⚠WARNING: NEVER defeat the lock-off button by taping down or some other means. A switch with a negated lock-off button may result in unintentional operation and serious personal injury.

⚠WARNING: NEVER use the tool if it runs when you simply pull the switch trigger without pressing the lock-off button. A switch in need of repair may result in unintentional operation and serious personal injury. Return tool to a Makita service center for proper repairs BEFORE further usage.

► Fig.11: 1. Switch trigger 2. Lock-off button

To prevent the switch trigger from being accidentally pulled, a lock-off button is provided. To start the tool, depress the lock-off button and pull the switch trigger. Release the switch trigger to stop.

NOTICE: Do not pull the switch trigger hard without pressing in the lock-off button. This can cause switch breakage.

ASSEMBLY

CAUTION: Always be sure that the tool is switched off and unplugged before carrying out any work on the tool.

Removing or installing circular saw blade

CAUTION: Be sure the circular saw blade is installed with teeth pointing up at the front of the tool.

CAUTION: Use only the Makita wrench to install or remove the circular saw blade.

To remove the circular saw blade, press the shaft lock fully so that the circular saw blade cannot revolve and use the wrench to loosen the hex bolt counterclockwise. Then remove the hex bolt, ring (country specific), outer flange and circular saw blade.

► **Fig.12:** 1. Hex wrench 2. Shaft lock 3. Loosen 4. Tighnten

For tool without the ring

► **Fig.13:** 1. Hex bolt 2. Outer flange 3. Circular saw blade 4. Inner flange

For tool with the ring

► **Fig.14:** 1. Hex bolt 2. Outer flange 3. Circular saw blade 4. Ring 5. Inner flange

To install the circular saw blade, follow the removal procedure in reverse.

For tool with the inner flange for other than 15.88 mm hole-diameter saw blade

The inner flange has a certain diameter protrusion on one side of it and a different diameter protrusion on the other side. Choose a correct side on which protrusion fits into the saw blade hole perfectly. Mount the inner flange onto the mounting shaft so that the correct side of protrusion on the inner flange faces outward and then place saw blade and outer flange.

► **Fig.15:** 1. Mounting shaft 2. Inner flange 3. Circular saw blade 4. Outer flange 5. Hex bolt

WARNING: BE SURE TO TIGHTEN THE HEX BOLT CLOCKWISE SECURELY. Also be careful not to tighten the bolt forcibly. Slipping your hand from the hex wrench can cause a personal injury.

WARNING: Make sure that the protrusion "a" on the inner flange that is positioned outside fits into the saw blade hole "a" perfectly. Mounting the blade on the wrong side can result in the dangerous vibration.

For tool with the inner flange for a 15.88 mm hole-diameter saw blade (country specific)

Mount the inner flange with its recessed side facing outward onto the mounting shaft and then place saw blade (with the ring attached if needed), outer flange and hex bolt.

For tool without the ring

► **Fig.16:** 1. Mounting shaft 2. Inner flange 3. Circular saw blade 4. Outer flange 5. Hex bolt

For tool with the ring

► **Fig.17:** 1. Mounting shaft 2. Inner flange 3. Circular saw blade 4. Outer flange 5. Hex bolt 6. Ring

WARNING: BE SURE TO TIGHTEN THE HEX BOLT CLOCKWISE SECURELY. Also be careful not to tighten the bolt forcibly. Slipping your hand from the hex wrench can cause a personal injury.

WARNING: If the ring is needed to mount the blade onto the spindle, always be sure that the correct ring for the blade's arbor hole you intend to use is installed between the inner and the outer flanges. Use of the incorrect arbor hole ring may result in the improper mounting of the blade causing blade movement and severe vibration resulting in possible loss of control during operation and in serious personal injury.

Blade guard cleaning

When changing the circular saw blade, make sure to also clean the upper and lower blade guards of accumulated sawdust as discussed in the Maintenance section. Such efforts do not replace the need to check lower guard operation before each use.

Hex wrench storage

► **Fig.18:** 1. Hex wrench

When not in use, store the hex wrench as shown in the figure to keep it from being lost.

Connecting a vacuum cleaner

Optional accessory

When you wish to perform clean cutting operation, connect a Makita vacuum cleaner to your tool. Connect a hose of the vacuum cleaner to the dust nozzle as shown in the figure.

► **Fig.19:** 1. Dust nozzle 2. Screw

► **Fig.20:** 1. Hose 2. Vacuum cleaner

OPERATION

CAUTION: Be sure to move the tool forward in a straight line gently. Forcing or twisting the tool will result in overheating the motor and dangerous kickback, possibly causing severe injury.

► **Fig.21**

Hold the tool firmly. The tool is provided with both a front grip and rear handle. Use both to best grasp the tool. If both hands are holding saw, they cannot be cut by the circular saw blade. Set the base on the workpiece to be cut without the circular saw blade making any contact. Then turn the tool on and wait until the circular saw blade attains full speed. Now simply move the tool forward over the workpiece surface, keeping it flat and advancing smoothly until the sawing is completed. To get clean cuts, keep your sawing line straight and your speed of advance uniform. If the cut fails to properly follow your intended cut line, do not attempt to turn or force the tool back to the cut line. Doing so may bind the circular saw blade and lead to dangerous kickback and possible serious injury. Release switch, wait for circular saw blade to stop and then withdraw tool. Realign tool on new cut line, and start cut again. Attempt to avoid positioning which exposes operator to chips and wood dust being ejected from saw. Use eye protection to help avoid injury.

Rip fence (Guide rule)

Optional accessory

- **Fig.22:** 1. Rip fence (Guide rule) 2. Clamping screw

The handy rip fence allows you to do extra-accurate straight cuts. Simply slide the rip fence up snugly against the side of the workpiece and secure it in position with the clamping screw on the front of the base. It also makes repeated cuts of uniform width possible.

MAINTENANCE

⚠ CAUTION: Always be sure that the tool is switched off and unplugged before attempting to perform inspection or maintenance.

⚠ CAUTION: Clean out the guard to ensure there is no accumulated sawdust and chips which may impede the operation of the guarding system. A dirty guarding system may limit the proper operation which could result in serious personal injury. The most effective way to accomplish this cleaning is with compressed air. **If the dust is being blown out of the guard, be sure the proper eye and breathing protection is used.**

NOTICE: Never use gasoline, benzine, thinner, alcohol or the like. Discoloration, deformation or cracks may result.

Adjusting the parallelism

- **Fig.23:** 1. Screw

This adjustment has been made at the factory. But if it is off, you can adjust it as the following procedure.

1. Make sure all levers and screws are tightened. Slightly loosen the screw illustrated.
2. While opening the lower guard, move the rear of the base so that the distance A and B becomes equal.
3. Tighten the screws and make a test cut to check the parallelism.

Adjusting 0°-cut accuracy

- **Fig.24:** 1. Adjusting bolt
 ► **Fig.25:** 1. Triangular rule 2. Clamping screw

This adjustment has been made at the factory. But if it is off, you can adjust it as the following procedure.

1. Slightly loosen the clamping screws on the front and rear of the tool.
2. Make the base perpendicular to the blade using a triangular rule or square rule by turning the adjusting bolt.
3. Tighten the clamping screws and make a test cut to check the verticalness.

Replacing carbon brushes

- **Fig.26:** 1. Limit mark

Check the carbon brushes regularly.

Replace them when they wear down to the limit mark. Keep the carbon brushes clean and free to slip in the holders. Both carbon brushes should be replaced at the same time. Use only identical carbon brushes.

1. Use a screwdriver to remove the brush holder caps.
2. Take out the worn carbon brushes, insert the new ones and secure the brush holder caps.

- **Fig.27:** 1. Brush holder cap

To maintain product SAFETY and RELIABILITY, repairs, any other maintenance or adjustment should be performed by Makita Authorized or Factory Service Centers, always using Makita replacement parts.

OPTIONAL ACCESSORIES

⚠ CAUTION: These accessories or attachments are recommended for use with your Makita tool specified in this manual. The use of any other accessories or attachments might present a risk of injury to persons. Only use accessory or attachment for its stated purpose.

If you need any assistance for more details regarding these accessories, ask your local Makita Service Center.

- Circular saw blade
- Rip fence (Guide rule)
- Hex wrench
- Dust nozzle
- Guide rail
- Bevel guide
- Clamp
- Sheet
- Rubber sheet
- Position sheet
- Guide rail adapter
- Rule bar

NOTE: Some items in the list may be included in the tool package as standard accessories. They may differ from country to country.

SPECIFIKATIONER

Modell:	HS6601	
Klingans diameter	165 mm	
Max. sågdjup	vid 0°	54,5 mm
	vid 45°	37,5 mm
Hastighet utan belastning	5 200 min ⁻¹	
Total längd	296 mm	
Nettovikt	3,7 kg	
Säkerhetsklass	□/II	

- På grund av vårt pågående program för forskning och utveckling kan dessa specifikationer ändras utan föregående meddelande.
- Specifikationer kan variera mellan olika länder.
- Vikt i enlighet med EPTA-Procedure 01/2003

Avsedd användning

Verktyget är avsett för att såga längs och tvärs arbetssycket och för vinkelsågning i god kontakt med arbetssycket. Med lämpliga sågblad från Makita går det även att såga i andra material.

Strömförsörjning

Maskinen får endast anslutas till elnät med samma spänning som anges på typplåten och med enfasig växelström. De är dubbelisolerade och får därför också anslutas i ojordade vägguttag.

Buller

Den normala bullernivån för A-belastning är bestämd enligt EN60745:

Ljudtrycksnivå (L_{pA}): 87 dB (A)

Ljudeffektnivå (L_{WA}): 98 dB (A)

Måttolerans (K): 3 dB (A)

⚠ VARNING: Använd hörselskydd.

Vibration

Det totala vibrationsvärdet (treaxlad vektorsumma) bestämt enligt EN60745:

Arbetsläge: sågning i trä

Vibrationsemission ($a_{h,w}$): 2,5 m/s² eller lägre

Måttolerans (K): 1,5 m/s²

OBS: Det deklarerade vibrationsemissionsvärdet har uppmätts i enlighet med standardtestmetoden och kan användas för att jämföra en maskin med en annan.

OBS: Det deklarerade vibrationsemissionsvärdet kan också användas i en preliminär bedömning av exponering för vibration.

⚠ VARNING: Vibrationsemissionen under faktisk användning av maskinen kan skilja sig från det deklarerade emissionsvärdet, beroende på hur maskinen används.

⚠ VARNING: Var noga med att identifiera säkerhetsåtgärder för att skydda användaren, vilka är grundade på en uppskattning av graden av exponering för vibrationer under de faktiska användningsförhållandena, (ta, förutom avtryckartiden, med alla delar av användarcykeln i beräkningen, som till exempel tiden då maskinen är avstängd och när den går på tomgång).

EU-konformitetsdeklaration

Gäller endast inom EU

Makita försäkrar att följande maskiner:

Maskinbeteckning: Cirkelsåg

Modellnr./-typ: HS6601

Följer följande EU-direktiv: 2006/42/EC

De är tillverkade i enlighet med följande standard eller standardiseringsdokument: EN60745

Den tekniska dokumentationen i enlighet med 2006/42/EC finns tillgänglig från:

Makita, Jan-Baptist Vinkstraat 2, 3070, Belgium
24.4.2015



Yasushi Fukaya

Direktör

Makita, Jan-Baptist Vinkstraat 2, 3070, Belgium

Allmänna säkerhetsvarningar för maskiner

⚠ VARNING: Läs igenom alla säkerhetsvarningar och anvisningar. Underlåtenhet att följa varningar och instruktioner kan leda till elstöt, brand och/eller allvarliga personskador.

Spara alla varningar och instruktioner för framtida referens.

Termen "maskin" som anges i varningarna hänvisar till din eldrivna maskin (sladdansluten) eller batteridrivna maskin (sladdlös).

Säkerhetsvarningar för cirkelsåg

Sågningsförfarande

1. **⚠ FARA:** Håll alltid händerna borta från sågningsområdet. Håll den andra handen på det extra handtaget eller motorhuset. Om du håller i sågen med båda händerna kan de inte skadas av klingan.
 2. **Sträck dig inte in under arbetsstycket.** Skyddet har ingen skyddsfunktion under arbetsstycket.
 3. **Ställ in sågdjupet efter arbetsstyckets tjocklek.** Mindre än en hel sågtand får synas under arbetsstycket.
 4. **Håll aldrig arbetsstycket i händerna eller i knäet. Fäst arbetsstycket på ett stabilt underlag.** Det är viktigt att arbetsstycket stöds ordentligt för att minimera risken för skador, undvika att klingan fastnar eller att något oöväntat inträffar.
- Fig.1
5. **Håll endast maskinen i de isolerade handtagen om det finns risk för att skärverktyget kan komma i kontakt med en dold elkabel eller sin egen kabel.** Om skärverktyget kommer i kontakt med en strömförande ledning blir maskinens metalldelar strömförande och kan ge användaren en elektrisk stöt.
 6. **Vid klyvsågning ska alltid ett parallell- eller sidoanslag användas.** Detta förbättrar noggrannheten vid sågningen och minskar risken för att klingan nyper fast.
 7. **Använd alltid en sågklinga med rätt storlek och form (diamant respektive rund) på styrhålen.** Klingor som inte passar monteringsfästet i sågen löper ojämnt, vilket ger en okontrollerbar sågning.
 8. **Använd aldrig en klingbricka eller bult som på något sätt är felaktig eller skadad.** Klingbrickorna och bulten är specialtillverkade till sågen för optimal prestanda och säkerhet.

Orsaker till bakåtkast och relaterade varningar

- Bakåtkast är en plötslig reaktion när en sågklinga har fastnat eller är felriktad och innebär att sågen kastas upp ur arbetsstycket.
- Om klingan kläms eller fastnar och sågskäret därmed stoppas, driver motorkraften sågen mot användaren i hög hastighet.
- Om klingan böjs eller blir felriktad i sågskäret kan sågtänderna på klingans bakkant gräva sig in på ytan av arbetsstycket, driva klingan ur skäret och kasta sågen bakåt mot användaren.

Bakåtkast beror på ovarsamhet och/eller felaktiga arbetsrutiner och kan undvikas genom att vidta nedanstående förebyggande åtgärder.

1. **Håll sågen stadigt med båda händerna och placera armarna så att de kan ta emot kraften från ett bakåtkast. Stå vid sidan av klingan och aldrig i dess linje.** Vid ett bakåtkast kastas sågen

bakåt, men kraften i bakåtkastet kan kontrolleras av användaren om rätt försiktighetsåtgärder vidtas.

2. **Om klingan kläms eller av annan orsak hindras i skäret ska du släppa avtryckaren och hålla sågen stilla i skäret tills klingan har stannat. För att undvika bakåtkast ska du aldrig försöka ta bort sågen från arbetsstycket eller dra sågen bakåt när klingan är i rörelse.** Undersök och åtgärda orsaken till att klingan fastnar.
3. **När sågen startas igen i arbetsstycket ska du centrera sågklingan i skäret och kontrollera att ingen sågtand är i ingrepp i materialet.** Om sågklingan sitter fast i materialet kan sågen klättra upp eller medföra bakåtkast när sågen startas på nytt.
4. **Stötta långa arbetsstycken för att minimera risken för att klingan nyper fast och ger bakåtkast.** Långa arbetsstycken böjs av sin egen tyngd. Placera stöd på båda sidorna, både nära såglinjen och vid kanten på arbetsstycket.

► Fig.2

► Fig.3

5. **Använd aldrig slöa eller skadade klingor.** En oskarp eller felinställd klinga ger ett trångt sågskår som orsakar onödig friktion och klingan kan lättare fastna och ge bakåtkast.
6. **Klingdjup och nivåinställda låsspakar måste vara åtdragna och låsta innan sågning.** Om klingans justering skiftar under sågning kan det orsaka att den nyper fast och ger bakåtkast.
7. **Var extra uppmärksam vid sågning i väggar eller andra dolda utrymmen.** Den utskjutande klingan kan säga av föremål som kan orsaka bakåtkast.
8. **Håll ALLTID maskinen stadigt med båda händerna. Placera ALDRIG handen, benet eller någon annan kroppsdel under bottenplattan eller bakom sågen, i synnerhet vid tvärsågning.** Vid eventuella bakåtkast kan sågen lätt kastas bakåt mot handen och orsaka allvarliga skador.

► Fig.4

9. **Forcera aldrig sågen. Skjut sågen framåt med en sågningshastighet som låter klingan säga utan att tappa fart.** En såg som forceras ger ojämma skår, är svårare att styra och ger risk för bakåtkast.

Skyddets funktion

1. **Kontrollera att det nedre skyddet är stängt före varje sågning. Använd inte sågen om det nedre skyddet kärvar och inte stängs omedelbart. Kila aldrig fast eller bind det nedre skyddet i öppet läge.** Om du tappar sågen kan det nedre skyddet böjas. Hög det nedre skyddet med handtaget och se till att det rör sig fritt och inte vidrör klingan eller någon annan del under någon sågvinkel eller något sågdjup.
2. **Kontrollera funktionen hos det nedre skyddets fjäder. Om skyddet eller fjädern inte fungerar på avsett vis ska sågen underhållas innan den används.** Det nedre skyddet kan fungera ojämnt på grund av skadade delar, gummiavlagringar eller andra ansamlingar.

3. **Det nedre skyddet får endast dras tillbaka manuellt inför specialsågningar som "insticks-sågning" och "geringsågning".** Hög det nedre skyddet med hjälp av handtaget och släpp det nedre skyddet så snart klingan går in i materialet. Under alla andra typer av sågning ska det nedre skyddets automatiska funktion användas.
4. **Kontrollera alltid att det nedre skyddet täcker klingan innan du ställer ned sågen på ett arbetsbordet eller på golvet.** En oskyddad klinga som roterar medför att sågen vandrar bakåt och sågar i allt som kommer i dess väg. Tänk på att det tar en stund innan klingan stannar efter att du har släppt avtryckaren.
5. **Kontrollera det nedre skyddet genom att öppna det manuellt och sedan släppa det och observera skyddets stängning. Kontrollera även att handtaget inte vidrör verktyghuset.** Att lämna klingan oskyddad är MYCKET FARLIGT och kan leda till allvarliga personskador.

Ytterligare säkerhetsvarningar

1. **Var extra försiktig vid sågning i fuktigt, tryckbehandlat och kvistigt trä.** Bibehåll mjuk rörelse framåt med maskinen, utan att klingans hastighet minskar, för att undvika överhettning av klingspetsarna.
2. **Ta aldrig bort sågat material medan klingan rör sig. Vänta tills klingan har stannat innan du tar bort det sågade materialet.** Klingan stannar inte omedelbart när maskinen stängs av.
3. **Undvik att såga i spik. Kontrollera arbetsstycket och ta bort alla spikar innan du börjar såga.**
4. **Placera större delen av sågbordet på den del av arbetsstycket som har ett fast stöd och inte på den del som ska sågas bort. Kläm fast arbetsstycken som är små eller korta. FÖRSÖK INTE ATT HÅLLA SMÅ ARBETSSTYCKEN I HANDE!**

► Fig.5

5. **Kontrollera att skyddet är stängt och att klingan har stannat innan du ställer ifrån dig sågen.**
6. **Använd aldrig cirkelsågen upp-och-nedvänd i ett skruvståd. Det är extremt farligt och kan leda till allvarliga olyckor.**

► Fig.6

7. **Vissa material kan innehålla giftiga kemikalier. Se till att du inte andas in damm eller får det på huden. Följ anvisningarna i leverantörens materialsäkerhetsblad.**
8. **Försök inte stoppa klingorna genom att trycka på dem.**
9. **Använd inte några slipskivor.**
10. **Använd endast sågklingor med den diameter som finns markerad på maskinen eller angiven i handboken.** Om en klinga med fel storlek används kan det påverka skyddet för klingan eller skyddets funktion vilket kan resultera i allvarlig personskada.
11. **Håll klingan vass och ren.** Gummi- och trärester på klingan hindrar sågningen och ökar risken för bakåtkast. Ta bort klingan från sågen och gör rent den med ett borttagningsmedel för gummi- och

trärester, varmt vatten och fotogen. Använd aldrig bensin.

12. **Använd alltid andningsmask och hörselskydd när du arbetar med verktyget.**

SPARA DESSA ANVISNINGAR.

⚠ VARNING: GLÖM INTE att också fortsättningsvis strikt följa säkerhetsanvisningarna för maskinen även efter att du blivit van att använda den. Vid **FELAKTIG HANTERING** av maskinen eller om inte säkerhetsanvisningarna i denna bruksanvisning följs kan följden bli allvarliga personskador.

FUNKTIONSBESKRIVNING

⚠ FÖRSIKTIGT: Se alltid till att maskinen är avstängd och nätsladden utdragen innan du justerar eller funktionskontrollerar maskinen.

Justera sågdjupet

⚠ FÖRSIKTIGT: Dra alltid åt spärren ordentligt efter att sågdjupet justerats.

► Fig.7: 1. Spärr

Lossa spärren på djupanslaget och flytta bottenplattan uppåt eller nedåt. Läs bottenplattan med spärren när du har ställt in önskat sågdjup.

Bästa sågresultat och säkraste sågning erhålls om sågdjupet ställs in så att endast en sågtand syns på arbetsstyckets undersida. Rätt inställning av sågdjup bidrar till att minska risken för farliga BAKÅTKAST, som kan orsaka allvarliga personskador.

Vinkelsågning

► Fig.8: 1. Låsskruv 2. Platta med vinkelskala

► Fig.9: 1. Låsskruv

Lossa låsskruvarna. Ställ in lämplig vinkel (0°-45°) genom att luta maskinen i enlighet därmed och dra åt låsskraven.

Inriktning

► Fig.10: 1. Säglinje (vid läget 0°) 2. Säglinje (vid läget 45°)

För rak sågning riktar du in läget för 0° framtill på bottenplattan mot såglinjen. För vinkelsågning med en vinkel på 45° riktar du in den mot läget för 45°.

Avtryckarens funktion

⚠ VARNING: Innan du ansluter maskinen till elnätet ska du kontrollera att avtryckaren fungerar och återgår till läget "OFF" när du släpper den.

⚠ VARNING: Sätt **ALDRIG** säkerhetsknappens funktion ur spel genom att t.ex. tejpa fast den. I annat fall kan följden bli oavsiktlig aktivering och allvarig personskada.

⚠ VARNING: Använd **ALDRIG** verktyget om det startar när du trycker in avtryckaren utan att ha tryckt in säkerhetsknappen. En säkerhetsknapp som behöver repareras kan orsaka oavsiktlig aktivering och allvarig personskada. Returnera verktyget till ett Makita-servicecenter för reparation INNAN du fortsätter att använda det.

► Fig.11: 1. Avtryckare 2. Säkerhetsknapp

En säkerhetsknapp förhindrar oavsiktlig aktivering av avtryckaren. Starta verktyget genom att först trycka in säkerhetsknappen och sedan avtryckaren. Släpp avtryckaren för att stoppa verktyget.

OBSERVERA: Tryck inte in avtryckaren hårt utan att ha tryckt in säkerhetsknappen. Det kan skada avtryckaren.

MONTERING

⚠ FÖRSIKTIGT: Se alltid till att maskinen är avstängd och nätsladden urdragen innan maskinen repareras.

Demontering eller montering av cirkelsågklinga

⚠ FÖRSIKTIGT: Se till att montera cirkelsågklingan med sågtänderna uppåt i verktygets framkant.

⚠ FÖRSIKTIGT: Använd endast medföljande insexnyckel från Makita för att montera eller demontera cirkelsågklingan.

Ta bort cirkelsågbladet genom att trycka in spindellåset helt så att klingan inte kan rotera och lossa sexkantsbulten moturs med nyckeln. Ta sedan bort sexkantsbulten, ringen (landsspecifikt), den yttre flänsen och cirkelsågbladet.

► Fig.12: 1. Insexnyckel 2. Spindellås 3. Lossa 4. Dra åt

För verktyg utan insatsring

► Fig.13: 1. Sexkantsbult 2. Yttre fläns 3. Cirkelsågblad 4. Inre fläns

För verktyg med insatsring

► Fig.14: 1. Sexkantsbult 2. Yttre fläns 3. Cirkelsågblad 4. Insatsring 5. Inre fläns

Montera cirkelsågbladet genom att följa borttagningsproceduren i omvänd ordning.

För verktyg med en inre fläns som är avsedd för sågblad med en annan håldiameter än 15,88 mm

Den inre flänsen har en utskjutande del med en viss diameter på ena sidan och en utskjutande del med en annan diameter på den andra sidan. Välj den sidan där den utskjutande delen passar in perfekt i sågbladets hål. Montera den inre flänsen på monteringsaxeln så att rätt sida av den inre flänsens utskjutande del riktas utåt, och sätt sedan sågbladet och den yttre flänsen på plats.

► Fig.15: 1. Monteringsaxel 2. Inre fläns 3. Cirkelsågblad 4. Yttre fläns 5. Sexkantsbult

⚠ VARNING: SE TILL ATT DRA ÅT SEXKANTSBULTEN MEDURS ORDENTLIGT. Var också noga med att inte dra åt bulten med våld. Om insexnyckeln glider ur handen kan den orsaka personskada.

⚠ VARNING: Se till att den utskjutande delen "a" på den inre flänsen som är placerad utåt passar in perfekt i hålet "a" i sågbladet. Att montera sågbladet på fel sida kan resultera i farliga vibrationer.

För verktyg med en inre fläns som är avsedd för ett sågblad med en håldiameter på 15,88 mm (landspecifikt)

Montera den inre flänsen med dess försänkta sida riktad utåt på monteringsaxeln och sätt sedan sågbladet (med insatsringen monterad om så krävs), den yttre flänsen och sexkantsbulten på plats.

För verktyg utan insatsring

► Fig.16: 1. Monteringsaxel 2. Inre fläns 3. Cirkelsågblad 4. Yttre fläns 5. Sexkantsbult

För verktyg med insatsring

► Fig.17: 1. Monteringsaxel 2. Inre fläns 3. Cirkelsågblad 4. Yttre fläns 5. Sexkantsbult 6. Insatsring

⚠ VARNING: SE TILL ATT DRA ÅT SEXKANTSBULTEN MEDURS ORDENTLIGT. Var också noga med att inte dra åt bulten med våld. Om insexnyckeln glider ur handen kan den orsaka personskada.

⚠ VARNING: Om insatsringen behövs för att montera klingan på spindeln ska du alltid se till att korrekt insatsring för axelhålet på den klinga du ska använda monteras mellan den inre och den yttre flänsen. Att använda fel insatsring för axelhålet kan leda till felaktig montering av klingan, vilket orsakar förflyttning av klingan och ger allvarliga vibrationer. Detta kan leda till att du förlorar kontrollen under användning, vilket kan orsaka allvarliga personskador.

Rengöring av klingskydd

När du byter cirkelsågklinga bör du även se till att rengöra de övre och nedre klingskydden från sågspån enligt beskrivningen i avsnittet om underhåll. Detta ersätter inte den nödvändiga kontrollen av att det nedre skyddet fungerar som det ska före varje användning.

Förvaring av insexnyckel

► **Fig.18:** 1. Insexnyckel

Förvara insexnyckeln enligt figuren när den inte används, så att du alltid har den till hands.

Ansluta en dammsugare

Valfria tillbehör

Anslut en dammsugare från Makita när du vill ha rent under sågningen. Anslut dammsugarslangen till dammunstycket enligt figuren.

► **Fig.19:** 1. Dammunstycke 2. Skruv

► **Fig.20:** 1. Slang 2. Dammsugare

ANVÄNDNING

⚠ FÖRSIKTIGT: Se till att verktyget förs framåt varsamt i en rät linje. Om du tvingar eller vrider sågen överhettas motorn och det finns risk för kraftiga bakåtkast som kan medföra allvarliga skador.

► **Fig.21**

Håll verktyget i ett fast grepp. Verktyget är försett med handtag både fram och bak. Använd båda handtagen för att hålla verktyget stadigt. Om du håller sågen med båda händerna kan de inte skadas av cirkelsågbladet. Placera bottenplattan på arbetsstycket utan att cirkelsågbladet kommer i kontakt med det. Starta sedan verktyget och vänta tills cirkelsågbladet uppnått full hastighet. För sedan sågen framåt över arbetsstyckets yta. Håll den plant och för den varsamt framåt tills sågningen är klar.

För att få en renare sågning ska du hålla rak såglinje och jämn hastighet framåt. Försök inte att vrida eller tvinga verktyget tillbaka till såglinjen om den avsedda såglinjen inte kan följas. Cirkelsågbladet kan då fastna, vilket kan leda till ett farligt bakåtkast med risk för allvarliga skador som följd. Släpp avtryckaren, vänta tills cirkelsågbladet har stannat och ta sedan bort verktyget. Rikta in verktyget mot en ny såglinje och starta sågningen på nytt. Undvik att stå så att du utsätts för spån och damm som kastas ut från sågen. Använd skyddsglasögon för att undvika skador.

Parallellanslag (anslagsskena)

Valfria tillbehör

► **Fig.22:** 1. Parallellanslag (anslagsskena)
2. Låsskruv

Ett praktiskt parallellanslag möjliggör extra noggrann, rak sågning. Placera parallellanslaget tätt mot arbetsstyckets sida och lås fast det med skruven framtill på bottenplattan. Parallellanslaget kan också användas när du vill såga flera arbetsstycken med samma bredd.

UNDERHÅLL

⚠ FÖRSIKTIGT: Se alltid till att maskinen är avstängd och nätkabeln urdragen innan inspektion eller underhåll utförs.

⚠ FÖRSIKTIGT: Rensa ut skyddet för att se till att inte sågdamm och spån har samlats där som kan hindra funktionen för skyddssystemet. Ett smutsigt skyddssystem kan begränsa korrekt användning, vilket kan resultera i allvarlig personskada. Tryckluft är mest effektivt vid denna rengöring. Se till att använda korrekta ögon- och andningsskydd om dammet blåses ut från skyddet.

OBSERVERA: Använd inte bensin, förtunningsmedel, alkohol eller liknande. Missfärgning, deformation eller sprickor kan uppstå.

Justera parallellitet

► **Fig.23:** 1. Skruv

Denna inställning har utförts i fabriken. Om den är rubbad kan du justera den med följande procedur.

1. Kontrollera att alla spärrar och skruvar är åtdragna. Lossa den illustrerade skruven något.
2. Medan du öppnar det nedre skyddet flyttar du den bakre delen av bottenplattan så att avståndet mellan A och B är samma.
3. Dra åt skruvarna och gör en testsågning för att kontrollera parallelliteten.

Justera noggrannhet för sågningar på 0°

► **Fig.24:** 1. Inställningsbult

► **Fig.25:** 1. Vinkelhake 2. Låsskruv

Denna inställning har utförts i fabriken. Om den är rubbad kan du justera den med följande procedur.

1. Lossa låsskruvarna framtill och baktill på verktyget något.
2. Gör bottenplattan vinkelrät mot klingan med hjälp av en vinkelhake genom att skruva på justerbulten.
3. Dra åt låsskruvarna och gör en testsågning för att kontrollera lodrättheten.

Byte av kolborstar

► **Fig.26:** 1. Slitagemarkering

Kontrollera kolborstarna regelbundet. Byt ut dem när de är nedslitna till slitagemarkeringen. Håll kolborstarna rena så att de lätt kan glida in i hållarna. Båda kolborstarna ska bytas ut samtidigt. Använd endast identiska kolborstar.

1. Använd en skruvmejsel för att ta bort locken till kolborstarna.
2. Ta ur de utslitna kolborstarna, montera nya och montera locken.

► **Fig.27:** 1. Borsthållarlock

För att upprätthålla produktens SÄKERHET och TILLFÖRLITLIGHET bör allt underhålls- och justeringsarbete utföras av ett auktoriserat Makita servicecenter och med reservdelar från Makita.

VALFRIA TILLBEHÖR

⚠ FÖRSIKTIGT: Följande tillbehör eller tillsatser rekommenderas för användning med den Makita-maskin som denna bruksanvisning avser. Om andra tillbehör eller tillsatser används kan det uppstå risk för personskador. Använd endast tillbehören eller tillsatserna för de syften de är avsedda för.

Kontakta ditt lokala Makita servicecenter om du behöver ytterligare information om dessa tillbehör.

- Cirkelsågklinga
- Parallellanslag (anslagsskena)
- Insexnyckel
- Dammunstycke
- Styrskena
- Vinkelskena
- Klämma
- Skiva
- Gummiskiva
- Positionsskiva
- Adapter för styrskena
- Sidoanslag

OBS: Några av tillbehören i listan kan vara inkluderade i maskinpaketet som standardtillbehör. De kan variera mellan olika länder.

TEKNISKE DATA

Modell:		HS6601
Bladdiameter		165 mm
Maks. skjæredybde	ved 0°	54,5 mm
	ved 45°	37,5 mm
Hastighet uten belastning		5 200 min ⁻¹
Total lengde		296 mm
Nettovekt		3,7 kg
Sikkerhetsklasse		II

- På grunn av vårt kontinuerlige forsknings- og utviklingsprogram kan spesifikasjonene som oppgis i dette dokumentet endres uten varsel.
- Spesifikasjonene kan variere fra land til land.
- Vekt i henhold til EPTA-prosedyre 01/2003

Riktig bruk

Verktøyet er beregnet på saging av langsgående og tversgående rette snitt og gjæringsnitt med vinkler i tre, mens det er i tett kontakt med arbeidsemnet. Med riktig, originalt sagblad fra Makita kan også andre materialer sages.

Strømforsyning

Maskinen må bare kobles til en strømkilde med samme spenning som vist på typeskiltet, og kan bare brukes med enfase-vekselstrømforsyning. Den er dobbelt verneisoleret og kan derfor også brukes fra kontakter uten jording.

Støy

Typisk A-vektet lydtryknivå er bestemt i henhold til EN60745:
 Lydtryknivå (L_{pA}): 87 dB (A)
 Lydeffektnivå (L_{WA}): 98 dB (A)
 Usikkerhet (K): 3 dB (A)

⚠ ADVARSEL: Bruk hørselsvern.

Vibrasjoner

Den totale vibrasjonsverdien (triaksial vektorsum) bestemt i henhold EN60745:
 Arbeidsmodus: saging av tre
 Genererte vibrasjoner ($a_{h,W}$): 2,5 m/s² eller mindre
 Usikkerhet (K): 1,5 m/s²

MERK: Den angitte verdien for de genererte vibrasjonene er målt i samsvar med standardtestmetoden og kan brukes til å sammenlikne et verktøy med et annet.

MERK: Den angitte verdien for de genererte vibrasjonene kan også brukes til en foreløpig vurdering av eksponeringen.

⚠ ADVARSEL: De genererte vibrasjonene ved faktisk bruk av elektroverktøyet kan avvike fra den angitte vibrasjonsverdien, avhengig av hvordan verktøyet brukes.

⚠ ADVARSEL: Sørg for å identifisere vernetiltak for å beskytte operatøren, som er basert på et estimat av eksponeringen under de faktiske bruksforholdene (idet det tas hensyn til alle deler av driftssyklusen, dvs. hvor lenge verktøyet er slått av, hvor lenge det går på tomgang og hvor lenge startbryteren faktisk holdes trykket).

EF-samsvarserklæring

Gjelder kun for land i Europa

Makita erklærer at følgende maskin(er):

Maskinens bruksområde: Sirkelsag

Modellnr./type: HS6601

Samsvarer med følgende europeiske direktiver: 2006/42/EC

De er produsert i henhold til følgende standarder eller standardiserte dokumenter: EN60745

Den tekniske filen i samsvar med 2006/42/EC er tilgjengelig fra:

Makita, Jan-Baptist Vinkstraat 2, 3070, Belgia
 24.4.2015



Yasushi Fukaya

Direktør

Makita, Jan-Baptist Vinkstraat 2, 3070, Belgia

Generelle advarsler angående sikkerhet for elektroverktøy

⚠ ADVARSEL: Les alle sikkerhetsadvarslene og alle instruksjonene. Hvis du ikke følger alle advarslene og instruksjonene som er oppført nedenfor, kan det føre til elektriske støt, brann og/eller alvorlige helseskader.

Oppbevar alle advarsler og instruksjoner for senere bruk.

Uttrykket «elektrisk verktøy» i advarslene refererer både til elektriske verktøy (med ledning) tilkoblet strømmettet, og batteridrevne verktøy (uten ledning).

Sikkerhetsadvarsler for sirkelsag

Skjæreprosedyrer

1. **FARE:** Hold hendene unna kappeområdet og bladet. Hold den andre hånden på hjelpehåndtaket eller motorhuset. Hvis du holder sagen med begge hendene, risikerer du ikke at de blir skåret av bladet.
2. **Ikke strekk deg under arbeidsstykket.** Bladvernet kan ikke beskytte deg mot bladet under arbeidsemnet.
3. **Juster dybden på kutt til tykkelsen på arbeidsstykket.** Mindre enn en hel sagtann skal være synlig nedenfor arbeidsemnet.
4. **Du må aldri holde arbeidsemnet med hendene eller la det ligge tvers over bena dine. Sikre arbeidsstykket på en stødig plattform.** Det er viktig å støtte arbeidsemnet ordentlig for å gjøre risikoen minst mulig for å få skader, for at bladet skal sette seg fast, eller for at du skal miste kontrollen.

► Fig.1

5. **Hold maskinen i kun det isolerte håndtaket når skjærende verktøy kan komme i kontakt med skjulte ledninger eller sin egen ledning under arbeidet.** Kontakt med en strømførende ledning kan føre til at metalldelene på det elektriske verktøyet blir strømførende og gir brukeren elektrisk støt.
6. **Ved kløyving må du alltid bruke et parallellanlegg eller en føring med rett kant.** Dette forbedrer nøyaktigheten av kuttet og reduserer risikoen for at bladet skal sette seg fast.
7. **Det må alltid brukes blader med riktig størrelse og form (diamant eller rund) på akselhullet.** Blader som ikke passer til monteringsmekanismen på sagen vil rotere med kast, og bli umulige å kontrollere.
8. **Bruk aldri mellomleggsskiver til bladet eller en bolt som er skadd eller ikke passer.** Mellomleggsskivene for bladet og boltene er spesielt utformet for sagen, for optimal ytelse og sikker drift.

Tilbakeslag oppstår og relaterte advarsler

- Tilbakeslag er en plutselig reaksjon på et klemt, fastsittende eller feiljustert sagblad, som kan føre til at en sag som ikke holdes godt fast blir løftet opp og ut av arbeidsemnet, og mot operatøren.
- Når bladet kommer i klem eller setter seg fast ved at snittet lukker seg, stopper bladet, og motoren driver enheten hurtig tilbake mot operatøren.
- Hvis bladet blir vridd eller feiljustert i snittet, vil tennene i bakkant av bladet grave seg inn i den øvre kanten av arbeidsemnet, slik at bladet arbeider seg ut av snittet og spretter tilbake mot operatøren.

Tilbakeslag er et resultat av feil bruk av sagen og/eller feilaktige arbeidsprosedyrer eller arbeidsforhold, og kan unngås hvis man tar de rette forholdsregler (se nedenfor).

1. **Hold sagen i et fast grep med begge hender, og hold armene dine slik at de kan motstå kraften fra sagen i tilfelle den slår tilbake mot deg. Posisjoner kroppen på den ene siden av bladet, men ikke på linje med det.** Tilbakeslag kan føre til at sagen hopper bakover. Tilbakeslagene kan imidlertid kontrolleres av brukeren, hvis brukeren tar de rette forholdsreglene.
2. **Når bladet setter seg fast, eller når du av en eller annen grunn vil avbryte sagingen, må du slippe startbryteren og holde sagen i ro i materialet inntil bladet har stoppet helt. Du må aldri forsøke å fjerne sagen fra arbeidsemnet eller å trekke den bakover mens bladet er i bevegelse, da dette kan få sagen til å slå tilbake.** Undersøk hvorfor bladet setter seg fast og sett i verk avhjelpende tiltak.
3. **Når du starter sagen i arbeidsemnet igjen, må du sentrere sagbladet i snittet og kontrollere at sagtennene ikke sitter i materialet.** Hvis sagbladet sitter fast, kan det komme opp eller føre til at sagen slår tilbake mot deg når den startes igjen.
4. **Støtt opp større plater for å redusere risikoen så mye som mulig for at bladet kommer i bek-nip, og for tilbakeslag.** Større plater har en tendens til å bøye seg under sin egen vekt. Støttene må plasseres under platen på begge sider, nær kappelinjen og nær kantene av platen.

► Fig.2

► Fig.3

5. **Ikke bruk sløve eller ødelagte blad.** Uskarpe eller feilaktig innstilte blad gir trangt snitt, noe som forårsaker kraftig friksjon, får bladet til å sette seg fast og resulterer i at sagen slår tilbake mot operatøren.
6. **Dette kan medføre tilbakeslag (kickback) som kan gi alvorlige personskader.** Bladdybden og låsehendene for avfasingjusteringen må være strammet og festet før snittet gjøres.
7. **Vær ekstra forsiktig når du sager i eksisterende vegger eller andre områder uten innsyn.** Det fremstikkende bladet kan treffe gjenstander som kan forårsake tilbakeslag.
8. **Hold ALLTID maskinen fast med begge hender. Plasser ALDRI hånden, benet eller noen annen kroppsdell under maskinfoten eller bak sagen, særlig når du sager på tvers.** Hvis det skjer et tilbakeslag, kan sagen lett komme til å hoppe bakover over hånden din og forårsake alvorlige helseskader.

► Fig.4

9. **Bruk aldri makt på sagen. Skyv sagen fremover med en slik hastighet at bladet skjærer uten å miste fart.** Hvis du bruker makt på sagen, kan det gi ujevne snitt, uøyaktighet og muligheter for tilbakeslag.

Vernfunksjon

1. **Sjekk at det nedre vernet er ordentlig lukket hver gang maskinen tas i bruk. Ikke begynn å bruke sagen hvis det nedre vernet ikke beveger seg fritt og lukker seg momentant. Det nedre vernet må aldri klemmes fast eller bindes opp i åpen stilling.** Hvis sagen ved et ulykkestilfelle skulle falle ned, kan det nedre vernet bli

- bøyd. Løft det nedre vernet med hevehendelen og forviss deg om at det beveger seg fritt og ikke berører bladet eller andre deler, uansett snittvinkel eller -dybde.
- Kontroller at fjæren til det nedre vernet virker som den skal. Hvis vernet og fjæren ikke fungerer som de skal, må de etterses før bruk.** Det nedre vernet kan gå tregt pga. ødelagte deler, gummiavleiringer eller opphopning av spon.
 - Det nedre vernet kan trekkes tilbake manuelt bare i forbindelse med spesielle typer snitt, som f.eks. innstikk og kombinasjonssaging.** Hev det nedre vernet ved hjelp av hevehendelen og slipp det så snart bladet går inn i materialet. For all annen saging bør det nedre vernet få lov til å fungere automatisk.
 - Pass på at det nedre vernet alltid dekker bladet før du setter sagen ned på benken eller gulvet.** Et ubeskyttet, roterende blad vil få sagen til å bevege seg bakover mens bladet kapper alt som kommer i dets vei. Vær oppmerksom på at bladet trenger en viss tid for å stoppe etter at bryteren er sluppet.
 - Kontroller det nedre vernets funksjon ved å åpne det for hånd, slippe det og kontrollere at det lukkes. Kontroller også at hevehendelen ikke berører verktøyhuset.** Et eksponert blad er SVÆRT FARLIG og kan føre til alvorlig personskade.

Flere sikkerhetsadvarsler

- Vær ekstra forsiktig ved skjæring i fuktig tre, trykkbehandlet tømmer eller tømmer med kvist.** Unngå overoppheting av bladspissene ved å bevege bladet jevnt fremover uten reduksjon i bladhastigheten.
 - Ikke forsøk å fjerne kapp mens bladet er i bevegelse. Vent til bladet stopper før du griper det materialet som er kappet.** Bladene roterer fritt etter at maskinen er slått av.
 - Unngå å skjære i spiker. Se etter og fjern all spiker fra arbeidsemnet før arbeidet påbegynnes.**
 - Sett den bredeste delen av sagfoten på den delen av arbeidsemnet som er godt støttet opp, ikke på den delen som kommer til å falle av når snittet er fullført. Hvis arbeidsemnet er kort eller lite, må det klemmes fast. IKKE FORSØK Å HOLDE KORTE STYKKER MED HÅNDEN!**
- Fig.5
- Før du setter verktøyet ned etter å ha fullført et kutt, må du forvisse deg om at vernet er lukket og må at bladet har stoppet helt.**
 - Forsøk aldri å sage mens sirkelsagen holdes opp ned i en skrustikke. Dette er ekstremt farlig og kan forårsake alvorlige ulykker.**
- Fig.6
- Enkelte materialer inneholder kjemikalier som kan være giftige. Treff tiltak for å hindre hudkontakt og innånding av støv. Følg leverandørens sikkerhetsanvisninger.**
 - Ikke stopp bladene ved å presse sideveis på sagbladet.**
 - Ikke bruk slipeskiver.**

- Bruk bare sagbladet med diameter som er merket på verktøyet eller spesifisert i håndboken.** Bruk av et blad med feil størrelse kan påvirke riktig beskyttelse av bladet eller bruk av bladvernet, som kan resultere i alvorlig personskade.
- Hold bladet skarpt og rent.** Harpiks og bek som størkner på bladene reduserer turtallet på sagen og øker risikoen for tilbakeslag. Hold bladet rent ved først å ta det av verktøyet og deretter gjøre det rent med en harpiks- og bekfjerner, varmt vann eller parafin. Du må aldri bruke bensin.
- Bruk en støvmaske og hørselsvern når du bruker verktøyet.**

TA VARE PÅ DISSE INSTRUKSENE.

⚠ ADVARSEL: IKKE LA hensynet til hva som er "behagelig" eller det faktum at du kjenner produktet godt (etter mange gangers bruk) gjøre deg mindre oppmerksom på sikkerhetsreglene for bruken av det aktuelle produktet. Ved MISBRUK eller hvis ikke sikkerhetsreglene i denne bruksanvisningen følges, kan det oppstå alvorlig personskade.

FUNKSJONSBEKRIVELSE

⚠ ADVARSEL: Forviss deg alltid om at maskinen er slått av og støpselet trukket ut av kontakten før du justerer eller kontrollerer de mekaniske funksjonene.

Justere skjæredybden

⚠ ADVARSEL: Når du har justert skjæredybden, må du alltid stramme spaken godt.

► Fig.7: 1. Spak

Løse spaken på dybdeføringen og beveg foten opp eller ned. Fest foten ved ønsket skjæredybde ved å stramme spaken.

For at kuttene skal bli renere og sikrere må du stille inn skjæredybden slik at ikke mer enn én sagtann stikker ut under arbeidsemnet. Hvis skjæredybden er riktig, reduseres risikoen for farlige TILBAKESLAG som kan forårsake helseskader.

Skråskjæring

► Fig.8: 1. Klemskrue 2. Skråskalaplatt

► Fig.9: 1. Klemmeskrue

Løse klemskrue. Still inn ønsket vinkel (0° - 45°) ved å vippe på maskinen, og stram deretter klemmeskruen forsvarlig.

Sikting

► Fig.10: 1. Skjærelinje (0°-posisjon) 2. Skjærelinje (45°-posisjon)

For rette kutt, sett innstillingen foran på verktøyet på 0° og jevnt med skjærelinjen. For 45° skråsnitt, sett innstillingen på 45° jevnt med skjærelinjen.

Bryterfunksjon

⚠ ADVARSEL: Før du kobler maskinen til strømnettet, må du alltid kontrollere at startbryteren aktiverer maskinen på riktig måte og går tilbake til «AV»-stilling når den slippes.

⚠ ADVARSEL: ALDRI sett avsperringsknappen ute av funksjon ved å for eksempel teipe over den. En defekt avsperringsknapp kan føre til at maskinen aktiveres utilsiktet og alvorlige personskader kan oppstå.

⚠ ADVARSEL: Maskinen må ALDRI brukes hvis den begynner å gå bare du trykker på startbryteren, uten at du må trykke på avsperringsknappen også. En skadet/defekt bryter kan føre til at maskinen aktiveres utilsiktet og alvorlige personskader kan oppstå. Returner maskinen til et Makita-servicesenter for å få den reparert FØR videre bruk.

► Fig.11: 1. Startbryter 2. Avsperringsknapp

For å unngå at startbryteren trykkes inn ved en feiltakelse, er maskinen utstyrt med en avsperringsknapp. Trykk på avsperringsknappen og startbryteren for å starte sagen. Slipp opp bryteren for å stanse verktøyet.

OBS: Ikke press hardt på startbryteren uten å trykke inn AV-sperreknappen. Dette kan få bryteren til å brekke.

MONTERING

⚠ ADVARSEL: Forviss deg alltid om at maskinen er slått av og støpselet trukket ut av kontakten før du utfører noe arbeid på maskinen.

Demontere eller monter sirkelsagbladet

⚠ ADVARSEL: Sørg for at sirkelsagbladet monteres med tennene pekende opp foran på verktøyet.

⚠ ADVARSEL: Bruk bare Makita-nøkkelen til å montere eller fjerne sirkelsagbladet.

For å ta av sirkelsagbladet, må du trykke på spindellåsen så sirkelsagbladet ikke kan rotere, og bruke nøkkelen til å løsne sekskantskruen mot klokken. Deretter tar du ut sekskantskruen, ringen (landsspesifikk), den ytre flensen og sirkelsagbladet.

► Fig.12: 1. Sekskantnøkkel 2. Spindellås 3. Løsne 4. Stramme

For verktøy uten ringen

► Fig.13: 1. Sekskantskrue 2. Ytre flens 3. Sirkelsagblad 4. Indre flens

For verktøy med ringen

► Fig.14: 1. Sekskantskrue 2. Ytre flens 3. Sirkelsagblad 4. Ring 5. Indre flens

Monter sirkelsagbladet ved å følge fremgangsmåten for demontering i motsatt rekkefølge.

For verktøy med indre flens for sagblad med en annen hulldiameter enn 15,88 mm

Den indre flensen har et visst diameterfremspring på den ene siden og et annet diameterfremspring på den andre siden. Velg den korrekte siden hvor fremspringet passer perfekt i hullet på sagbladet. Monter den indre flensen på festeakslingen slik at det riktige fremspringet på innerflensen vender utover og plasser deretter sagbladet og den ytre flensen.

► Fig.15: 1. Monteringsskaft 2. Indre flens 3. Sirkelsagblad 4. Ytre flens 5. Sekskantskrue

⚠ ADVARSEL: PASS PÅ Å STRAMME SEKSKANTSKRUEEN FORSVARLIG MED KLOKKEN. Du må også sørge for at skruen ikke strammes for hardt. Hvis hånden glipper fra sekskantnøkkelen, kan det medføre personskade.

⚠ ADVARSEL: Pass på at fremspringet «a» på den indre flensen som er posisjonert på utsiden passer perfekt i hullet på sagbladet «a». Hvis bladet monteres på feil side, kan det resultere i farlig vibrasjon.

For verktøy med innvendig flens for sagblad med 15,88 mm hulldiameter (bestemmes for hvert land)

Monter den indre flensen med den nedsenkede siden utover på festeakslingen og plasser sagbladet, ytterflensen og sekskantskruen (med ringen satt på om nødvendig).

For verktøy uten ringen

► Fig.16: 1. Monteringsskaft 2. Indre flens 3. Sirkelsagblad 4. Ytre flens 5. Sekskantskrue

For verktøy med ringen

► Fig.17: 1. Monteringsskaft 2. Indre flens 3. Sirkelsagblad 4. Ytre flens 5. Sekskantskrue 6. Ring

⚠ ADVARSEL: PASS PÅ Å STRAMME SEKSKANTSKRUEEN FORSVARLIG MED KLOKKEN. Du må også sørge for at skruen ikke strammes for hardt. Hvis hånden glipper fra sekskantnøkkelen, kan det medføre personskade.

⚠ ADVARSEL: Hvis ringen er nødvendig for å montere bladet på spindelen, må du forsikre deg om at korrekt akselhullring er satt inn mellom de indre og ytre flensene. Hvis du bruker feil akselhullring, kan bladet bli feilmontert. Ved bruk av feil akselhullskive vil bladet kanskje ikke monteres riktig. Dette kan føre til at bladet begynner å vandre og vibrere kraftig, at du mister kontrollen over maskinen under arbeidet og til alvorlige helseskader.

Renngjøring av bladvern

Når du skifter sirkelsagblad, må du også rengjøre de øverste og nederste bladvernene for akkumulert sagflis, som nevnt i avsnittet Vedlikehold. Du må imidlertid fortsatt kontrollere at nedre bladvern virker før hver gangs bruk.

Oppbevare sekskantnøkkel

► Fig.18: 1. Sekskantnøkkel

Når sekskantnøkkelen ikke er i bruk, må du oppbevare den som vist i figuren slik at du ikke mister den.

Koble til støvsuger

Valgfritt tilbehør

Hvis du vil sage så rent som mulig, kan du koble en Makita-støvsuger til verktøyet ditt. Deretter kopler du støvsugerslangen til støvutløpet som vist i figuren.

► Fig.19: 1. Støvmunnstykke 2. Skruer

► Fig.20: 1. Slange 2. Støvsuger

BRUK

⚠ ADVARSEL: Sørg for å bevege verktøyet pent fremover i en rett linje. Hvis du bruker makt på eller vrir verktøyet, vil motoren bli overopphetet og maskinen kan slå tilbake mot brukeren. Dette er farlig og kan gi alvorlige personskader.

► Fig.21

Hold godt fast i verktøyet. Verktøyet leveres både med fremre og bakre håndtak. Bruk begge for å få best mulig tak på maskinen. Hvis du holder sagen med begge hendene, unngår du å skjære deg på sirkelsagbladet. Sett foten på det arbeidsstykket som skal kappes, uten at sirkelsagbladet kommer borti arbeidsstykket. Slå deretter på maskinen, og vent til sirkelsagbladet oppnår full hastighet. Nå kan du ganske enkelt bevege sagen over overflaten på arbeidsmenet, holde den flatt og bevege den langsomt forover til sagingen er ferdig. For å få rene kutt må du sage i rett linje og med jevn hastighet. Hvis kuttet ikke følger skjærelinjen helt, må du ikke forsøke å dreie eller tvinge verktøyet tilbake til skjærelinjen. Hvis du gjør det, kan sirkelsagbladet sette seg fast og gi farlige tilbakeslag som kan føre til alvorlige kader. Slipp bryteren, vent til sirkelsagbladet stopper og trekk ut maskinen. Still inn maskinen på en ny skjærelinje og begynn sagingen på nytt. Forsøk å unngå en plassering som utsetter operatøren for en sprut av flis og sagmugg fra sagen. Bruk øyevern for å redusere risikoen for skader.

Parallellanlegg (føringslinjal)

Valgfritt tilbehør

► Fig.22: 1. Parallellanlegg (føringslinjal) 2. Klemmeskrue

Det praktiske parallellanlegget gjør det mulig å foreta ekstra nøyaktige rette kutt. Skyv ganske enkelt parallellanlegget tett opp til siden av arbeidsmenet og fest det med skruen foran på foten. Med parallellanlegget kan du dessuten skjære gjentatte ganger med samme bredde.

VEDLIKEHOLD

⚠ ADVARSEL: Forviss deg alltid om at maskinen er slått av og støpselet trukket ut av kontakten før du foretar inspeksjon eller vedlikehold.

⚠ ADVARSEL: Rengjør vernet for å sikre at det ikke finnes oppsamlet sagspon og flis som kan hindre betjening av beskyttelsessystemet. Et skittent beskyttelsessystem kan begrense forsvarlig drift og føre til alvorlig personskade. Den mest effektive måten å foreta denne rengjøringen på er ved bruk av trykkluft. **Bruk riktig øyevern og pustevern hvis støvet blåses ut av vernene.**

OBS: Aldri bruk gasolin, bensin, tynner alkohol eller lignende. Det kan føre til misfarging, deformering eller sprekkdannelse.

Justering for parallelliseringen

► Fig.23: 1. Skruer

Denne justeringen er gjort på fabrikk. Men hvis den er unøyaktig, kan du justere i henhold til følgende prosedyre.

1. Pass på at alle spaker og skuer er strammet. Løsne den angitte skruen forsiktig.
2. Når du åpner det nedre vernet, flytter du fotens bakdel slik at avstanden mellom A og B blir lik.
3. Stram skruene og foreta en prøveskjæring for å kontrollere parallelliseringen.

Justering av 0° kuttnøyaktighet

► Fig.24: 1. Justeringskrue

► Fig.25: 1. Trekantiinjal 2. Klemmeskrue

Denne justeringen er gjort på fabrikk. Men hvis den er unøyaktig, kan du justere i henhold til følgende prosedyre.

1. Løsner klemmeskrue foran og bak på verktøyet litt.
2. Gjør foten vinkelrett i forhold til bladet ved hjelp av en trekantet linjal eller firkantet linjal, ved å vri justeringskrue.
3. Stram klemmeskrue og foreta en prøveskjæring for å kontrollere at de er vertikale.

Skifte kullbørster

► Fig.26: 1. utskiftingsmerke

Kontroller kullbørstene med jevne mellomrom. Bytt dem når de er slitt ned til utskiftingsmerket. Hold kullbørstene rene og fri til å bevege seg i holderne. Begge kullbørstene må skiftes samtidig. Bruk bare identiske kullbørster.

1. Bruk en skrutekkey til å fjerne børsteholderhettene.
2. Ta ut de slitte kullbørstene, sett i nye, og fest børsteholderhettene.

► Fig.27: 1. Børsteholderhette

For å opprettholde produktets SIKKERHET og PÅLITELIGHET, må reparasjoner, vedlikehold og justeringer utføres av autoriserte Makita servicesentre eller fabrikkerservicesentre, og det må alltid brukes reservedeler fra Makita.

VALGFRITT TILBEHØR

⚠ ADVARSEL: Det anbefales at du bruker dette tilbehøret eller verktøyet sammen med den Makita-maskinen som er spesifisert i denne håndboken. Bruk av annet tilbehør eller verktøy kan forårsake personskader. Tilbehør og verktøy må kun brukes til det formålet det er beregnet på.

Ta kontakt med ditt lokale Makita-servicesenter hvis du trenger mer informasjon om dette tilbehøret.

- Sirkelsagblad
- Parallellanlegg (føringslinjal)
- Sekskantnøkkel
- Støvmunnstykke
- Føringssskinne
- Fasettføring
- Klemme
- Ark
- Gummiark
- Posisjonsark
- Føringssskinneadapter
- Linjalstang

MERK: Enkelte elementer i listen kan være inkludert som standardtilbehør i verktøypakken. Elementene kan variere fra land til land.

TEKNISET TIEDOT

Malli:	HS6601	
Terän halkaisija	165 mm	
Suurin leikkuvuusvyvyys	kulmassa 0°	54,5 mm
	kulmassa 45°	37,5 mm
Kuormittamaton kierrosnopeus	5 200 min ⁻¹	
Kokonaispituus	296 mm	
Nettopaino	3,7 kg	
Suojausluokka	□/II	

- Jatkuvasta tutkimus- ja kehitystyöstämme johtuen esitetyt tekniset tiedot saattavat muuttua ilman erillistä ilmoitusta.
- Tekniset tiedot voivat vaihdella maittain.
- EPTA-menettelyn 01/2003 mukainen paino

Käyttötarkoitus

Työkalu on tarkoitettu puun pitkittäis-, poikittais- ja jiiri-sahaukseen siten, että saha on koko ajan välittömässä kosketuksessa työkappaleeseen. Käyttämällä asianmukaisia aitoja Makita-sahanteriä on mahdollista sahata myös muita materiaaleja.

Virtalähde

Koneen saa kytkeä vain sellaiseen virtalähteeseen, jonka jännite on sama kuin arvokilvessä ilmoitettu, ja sitä saa käyttää ainoastaan yksivaiheisella vaihtovirralla. Laite on kaksinkertaisesti suojaeristetty ja siksi se voidaan kytkeä myös maadoittamattomaan pistorasiaan.

Melutaso

Tyypillinen A-painotettu melutaso määräytyy standardin EN60745 mukaan:

Äänenpainetaso (L_{pA}): 87 dB (A)
 Äänen voiman taso (L_{WA}): 98 dB (A)
 Virhemarginaali (K): 3 dB (A)

VAROITUS: Käytä kuulosuojaimia.

Tärinä

Kokonaistärinä (kolmen akselin vektorien summa) määräytyy standardin EN60745 mukaan:

Työtila: puun leikkaaminen
 Tärinäpäästö ($a_{h,w}$): 2,5 m/s² tai alhaisempi
 Virhemarginaali (K): 1,5 m/s²

HUOMAA: Ilmoitettu tärinäpäästöarvo on mitattu standarditestaustestimen mukaisesti, ja sen avulla voidaan vertailla työkaluja keskenään.

HUOMAA: Ilmoitettua tärinäpäästöarvoa voidaan käyttää myös altistumisen alustavaan arviointiin.

VAROITUS: Työkalun käytön aikana mitattu todellinen tärinäpäästöarvo voi poiketa ilmoitetusta tärinäpäästöarvosta työkalun käyttötavan mukaan.

VAROITUS: Selvitä käyttäjän suojaamiseksi tarvittavat varotoimet todellisissa käyttöolosuhteissa tapahtuvan arvioitun altistumisen mukaisesti (ottaen huomioon käyttöjako kokonaisuudessaan, myös jaksot, joiden aikana työkalu on sammutettuna tai käy tyhjäkäynnillä).

VAKUUTUS EC-VASTAAVUUDESTA

Koskee vain Euroopan maita

Makita ilmoittaa, että seuraava(t) kone(et):

Koneen tunnistetiedot: Pyörösaha

Mallinumero/tyyppi: HS6601

Täyttävät seuraavien eurooppalaisten direktiivien vaatimukset: 2006/42/EC

On valmistettu seuraavien standardien tai standardoitujen asiakirjojen mukaisesti: EN60745

Direktiivin 2006/42/EC mukaiset tekniset tiedot ovat saatavissa seuraavasta osoitteesta:

Makita, Jan-Baptist Vinkstraat 2, 3070, Belgia
 24.4.2015



Yasushi Fukaya

Johtaja

Makita, Jan-Baptist Vinkstraat 2, 3070, Belgia

Sähkötyökalujen käyttöä koskevat yleiset varoitukset

VAROITUS: Lue huolellisesti kaikki turvallisuusvaroitukset ja käyttöohjeet. Jos varoitusten ja ohjeiden noudattaminen laiminlyödään, seurauksena voi olla sähköisku, tulipalo ja/tai vakava vammautuminen.

Säilytä varoitukset ja ohjeet tulevaa käyttöä varten.

Varoituksissa käytettävällä termillä ”sähkötyökalu” tarkoitetaan joko verkkovirtaa käyttävää (johdollista) työkalua tai akkukäyttöistä (johdotonta) työkalua.

Pyörösaahan turvavaroitukset

Sahausohjeet

- VAARA:** Pidä kädet loitolla sahauslinjalta ja terästä. Pidä toista kättä apukahvalla tai moottorin kotelon päällä. Jos pidät kiinni sahasta molemmin käsin, terä ei voi vahingoittaa käsiä.
 - Älä korota työkappaleen alapuolelle.** Suojus ei suojaa terältä työkappaleen alapuolella.
 - Säädä leikkaussyvyys työkappaleen paksuuden mukaan.** Pienempi osa kuin terän täysi hammas tulee olla näkyvillä työkappaleen alapuolella.
 - Älä koskaan pidä sahattavaa kappaletta käsissä tai polvilla. Kiinnitä työkappale tukevaan jalustaan.** Työkappale on tuettava kunnolla loukkaantumisriskin, terän jumiutumisen ja sahan hallintaan menettämisen ehkäisemiseksi.
- Kuva1
- Jos on mahdollista, että työkalun terä osuu piilossa oleviin johtoihin tai laitteen omaan virtajohtoon, pidä sahatessasi kiinni työkalusta sen eristetyistä tartuntapinnoista.** Jos sähkötyökalun metalliosa joutuu kosketukseen ”jännitteisen” johdon kanssa, työkalun sähköä johtavat metalliosat voivat aiheuttaa käyttäjälle sähköiskun.
 - Käytä halkaisuun aina halkaisu- tai sivuohjainta.** Se parantaa sahaustarkkuutta ja vähentää terän juuttumista.
 - Käytä aina oikeankokoista ja -muotoista terää (timantti vs. pyöreä).** Terät, jotka eivät sovi työkalun kiinnittimiin, pyörivät epäkeskeisesti ja aiheuttavat sahan ohjauksen menetyksen.
 - Älä koskaan käytä viallisia tai vääriä terän aluslevyjä tai pultteja.** Terän aluslaatat ja pultit on suunniteltu erityisesti tälle sahalle ja takaavat parhaan suorituskyvyn ja turvallisuuden.

Takapotku ja siihen liittyvät varoitukset

- takapotkun aiheuttaa kiinni juuttunut, vääntynyt tai vääriin kohdistettu terä, joka saa sahan hypähtämään irti työkappaleesta kohti käyttäjää;
- jos terä juuttuu tiukkaan sahausuraan, terä pysähtyy ja moottori suojaus kääntää sen pyörimään taaksepäin kohti käyttäjää;
- jos terä vääntyy tai sen kohdistus muuttuu sahaustessa, terän takaosan hampaat voivat pureutua puun pintakerrokseen, jolloin terä nousee ylös urasta ja saha ponnahtaa käyttäjään kohti.

Takapotku johtuu sahan virheellisestä käytöstä ja/tai vääristä käyttöolosuhteista. Takapotku voidaan välttää noudattamalla seuraavia varotoimia.

- Ota sahasta tukeva ote molemmin käsin ja pidä käsiä sellaisessa asennossa, että voit ottaa vastaan mahdollisen takapotkun aiheuttamat voimat. Sijoita vartalo jommallekummalle puolelle terää, mutta ei terän suuntaisesti.** Takapotku voi aiheuttaa sahan ponnahtamisen taaksepäin, mutta käyttäjä voi hallita sen voimat,

jos takapotkuun varaudutaan asianmukaisin varotoimin.

- Jos terä jumittuu tai jos keskeytät leikkaamisen jostakin muusta syystä, vapauta liipaisinkytkin ja pidä saha paikoillaan työkappaleessa, kunnes terä on täysin pysähtynyt. Älä koskaan yritä poistaa sahaa työkappaleesta tai vetää sahaa taaksepäin, kun terä liikkuu tai seaurakseen voi olla takapotku.** Tutki ja korjaa mahdolliset syyt, jotka aiheuttavat terän jumiutumisen.
- Kun saha käynnistetään uudelleen työkappaleessa, keskitä sahanterä sahausuraan ja tarkista, että sahan hampaat eivät ole kiinni materiaalissa.** Jos terä jumiutuu, se saattaa hypähtää työkappaleesta tai aiheuttaa takapotkun, kun saha käynnistetään uudelleen.
- Tue suuria paneeleja, jotta minimoit terien jumiutumisen ja takapotkujen riskin.** Suurilla paneeleilla on tapana taipua oman painonsa vaikutuksesta. Levy on tuettava molemmilta puolilta sahauslinjan vierestä ja reunoilta.

► Kuva2

► Kuva3

- Älä käytä tylsiä tai vioittuneita teriä.** Tylsät tai vääriin asetetut terät tekevät kapean sahausuran, josta on seurauksena ylimääräistä kitkaa, terän taipuminen ja takapotku.
- Terän syvyys ja viisteen säädön lukitusvivot on oltava tiukalla ennen leikkauksen suoritusta.** Jos terän asetus siirtynyt leikkauksen aikana, seurauksena voi olla terän jumiutuminen ja takapotku.
- Ole erityisen varovainen, kun sahaat umpinaisia seinäpintoja tai jos et muuten näe sahattavaa kohdetta.** Läpitukenutuva terä voi leikata kohteita, jotka saattavat aiheuttaa takapotkun.
- PIDÄ AINA koneesta tukevasti molemmin käsin. ÄLÄ KOSKAAN pidä kättä, jalkaa tai muuta ruumiinosaa työkalun pohjan alapuolelle tai sahan taakse, varsinkaan katkaisussa.** Jos saha potkaisee taakse, se voi helposti ponnahtaa käsille ja aiheuttaa vakavia vammoja.

► Kuva4

- Älä koskaan sahaa väkisin. Työnnä sahaa eteenpäin sellaisella nopeudella, että terä leikkaa hidastumatta.** Sahan pakottaminen voi aiheuttaa epätasaista leikkausjälkeä, tarkkuuden vähenemistä ja mahdollisesti takapotkun.

Suojuksen toiminta

- Varmista alasuojuksen sulkeutuminen ennen jokaista käyttökertaa. Älä käytä sahaa, jos alasuojus ei liiku vapaasti ja sulkeudu heti. Älä koskaan sido alasuojusta auki-asentoon.** Jos saha putoaa vahingossa, alasuojus voi taittua. Nosta alasuojusta sisään vedettävästä kahvasta ja varmista, että suojus liikkuu vapaasti eikä kosketa terää tai muita osia missään leikkauskulmassa tai -syvytydessä.
- Tarkista alasuojuksen jousen toiminta. Jos suojus ja jousi eivät toimi oikein, ne tulee huoltaa ennen käyttöä.** Alasuojus saattaa toimia hitaasti johtuen vioittuneista osista, tahmeasta karstasta tai jäännösten kasautumisesta.

- Alasuojus voidaan vetää taakse käsin vain silloin, kun sahataan umpinaisia pintoja. Nosta alasuojus vedettävästä kahvasta ja heti, kun terä leikkaa materiaalin, alasuojus tulee vapauttaa. Kaikessa muussa sahauskassa alasuojukseen tulee antaa toimia automaattisesti.
- Huomioi aina, että alasuojus peittää terän ennen kuin asetat sahan penkille tai lattialle. Suojaamaton ja vapaasti liikkuva terä voi aiheuttaa sahan siirtymisen taaksepäin leikaten mitä sen eteen tulee. Ota huomioon se aika, jonka terän pysähtyminen sahan sammuttamisen jälkeen vaatii.
- Voit tarkistaa alasuojuksen avaamalla sen käsin ja sitten vapauttamalla seuraten samalla, miten se sulkeutuu. Varmista myös, ettei sisään vedettävä kahva osu leikkurin koteloon. Terän jättäminen ilman suojusta on ERITTÄIN VAARALLISTA ja voi johtaa vakaviin vammoihin.

Turvallisuutta koskevia lisävaroituksia

- Ole erityisen varovainen, jos sahaat kosteaa, painekyllästettyä tai oksaista puuta. Vältä terän ylikuumentamista säätämällä terän nopeus sellaiseksi, että sahaus etenee sujuvasti terän nopeuden hidastumatta.
 - Älä yritä poistaa leikattua materiaalia, kun terä on vielä liikkeessä. Odota, kunnes terä pysähtyy, ennen kuin tartut sahattuun kappaleeseen. Terä pyörii vielä jonkin aikaa sen jälkeen, kun saha on sammutettu.
 - Vältä nauhojen sahaamista. Tarkista puutavara ja poista kaikki naulat ennen sahausta.
 - Aseta sahan alustan leveämpi puoli työkapaleen tuetun osan päälle, älä sahattaessa irtoavan osan päälle. Jos työkapale on lyhyt tai pieni, kiinnitä se ruuvipenkkiin. **ÄLÄ YRITÄ PITÄÄ LYHYTTÄ TYÖKAPALETTA PAIKOILLAAN KÄSIN!**
- Kuva5
- Ennen sahan laskemista käsistäsi, varmista, että suojuksen sulkeutunut ja terä on täysin pysähtynyt.
 - Älä koskaan yritä leikata sirkkelillä, joka on ylösalaisin viilapenkillä. Tämä on erittäin vaarallista ja voi johtaa vakaviin vammoihin.
- Kuva6
- Jotkin materiaalit sisältävät kemikaaleja, jotka voivat olla myrkyllisiä. Huolehdi siitä, että pölyn sisäänhengittäminen ja ihokosketus estetään. Noudata materiaalin toimittajan turvaohjeita.
 - Älä pysäytä terä painamalla sivusta sahanterää.
 - Älä käytä minkäänlaisia hiomalaikkoja.
 - Käytä vain sahanterää, joiden halkaisija on sama kuin työkaluun merkitty tai ohjekirjassa mainittu. Väärän kokoisen terän käyttäminen voi vaikuttaa terän suojaukseen tai itse terän toimivuuteen ja aiheuttaa vakavia vammoja.
 - Pidä terät terävinä ja puhtaina. Terään kovetunut pihka hidastaa sahaamista ja lisää takapotkun vaaraa. Pidä terä puhtaana irrottamalla se sahasta ja puhdistamalla pihkanpoistoaineella, kuumalla vedellä tai petrolilla. Älä käytä koskaan puhdistukseen bensiiniä.

- Käytä työkalua käyttäessäsi hengitys- ja kuulosuojaimia.

SÄILYTÄ NÄMÄ OHJEET.

VAROITUS: ÄLÄ anna työkalun helppokäyttöisyyden (toistuvan käytön aikaansaama) johtaa sinua väärään turvallisuuden tunteeseen niin, että laiminlyöt työkalun turvaohjeiden noudattamisen. **VÄÄRINKÄYTTÖ** tai tässä käyttöohjeessa ilmoitettujen turvamääräysten laiminlyönti voi aiheuttaa vakavia henkilövahinkoja.

TOIMINTOJEN KUVAUS

HUOMIO: Varmista aina ennen koneen säätöjen ja toiminnallisten tarkistusten tekemistä, että kone on sammutettu ja irrotettu pistorasiasta.

Leikkaussyvyyden säätäminen

HUOMIO: Kiristä vipua lujasti aina leikkaussyvyyden säätämisen jälkeen.

► **Kuva7:** 1. Vipu

Löysennä syvyytustulokissa olevaa vipua ja siirrä pohjaa ylös tai alas. Kun olet säätänyt leikkaussyvyyden sopivaksi, lukitse pohja kiristämällä vipu. Aseta syvyys niin, että vain yksi terän hammas ulottuu työkapaleen alapinnan ulkopuolelle, jolloin leikkauks jäljestä tulee siisti ja itse leikkaus on turvallisempaa. Oikea leikkaussyvyys vähentää vammautumisriskin aiheuttavien TAKAPOTKUJEN vaaraa.

Viistosahaus

► **Kuva8:** 1. Kiristysruuvi 2. Viistosahauksen asteikkolevy

► **Kuva9:** 1. Kiristysruuvi

Löysää kiristysruuveja. Aseta haluttu kulma (0° - 45°) kallistamalla ja kiristä kiristysruuveja lujasti.

Tähtäys

► **Kuva10:** 1. Leikkuulinja (0° -asento) 2. Leikkuulinja (45° -asento)

Kun haluat sahata suoraan, kohdistu pohjan etuosan 0°-kohta sahauslinjaan. Kun haluat tehdä 45°:n viisteitä, kohdistu 45°-kohta sahauslinjaan.

Kytkimen käyttäminen

VAROITUS: Tarkista aina ennen työkalun liittämistä virtalähteeseen, että liipaisinkytkin kytketty oikein ja palaa asentoon "OFF", kun se vapautetaan.

VAROITUS: ÄLÄ KOSKAAN ohita lukituksen vapautuspainiketta teippaamalla sitä kiinni tai muulla tavoin. Jos kytkimen lukituksen vapautuspainike vapautetaan, laite saattaa käynnistyä vahingossa, mistä voi seurata vakava henkilövahinko.

VAROITUS: ÄLÄ KOSKAAN käytä sahaa, jos se käynnistyy pelkästään liipaisinkytkintä painamalla ilman, että painaisit lukituksen vapautuspainiketta. Jos kytkin on viallinen, laite saattaa käynnistyä vahingossa, mistä voi seurata vakava henkilövahinko. Toimita työkalu Makita-huoltoon korjattavaksi ENNEN kuin jatkat käyttöä.

► **Kuva11:** 1. Liipaisinkytkin 2. Lukon vapautuspainike

Lukituksen vapautusnappi ehkäisee liipaisinkytkimen tahattoman vetämisen. Käynnistä työkalu painamalla lukituksen vapautuspainike sisään ja vetämällä liipaisinkytkimestä. Voit pysäyttää työkalun vapauttamalla liipaisinkytkimen.

HUOMAUTUS: Älä vedä kytkimen liipaisinta voimakkaasti, ellei samalla paina lukituksen vapautusnappia. Kytkin voi rikkoutua.

KOKOONPANO

HUOMIO: Varmista aina ennen koneelle tehtäviä toimenpiteitä, että kone on sammutettu ja irrotettu pistorasiasta.

Pyörösahanterän irrotus ja kiinnitys

HUOMIO: Varmista, että terä on asennettu hampaat sahan etuosassa osoittamaan ylöspäin.

HUOMIO: Käytä terän irrottamiseen ja kiinnittämiseen vain Makitan kiintoavainta.

Pyöröterä irrotetaan painamalla karalukitusta täysin niin, että terä ei pääse pyörimään ja löysäämällä sitten kuusioruuvia kiertämällä kiintoavaimella vastapäivään. Poista sitten kuusiopultti, rengas (maakohtainen), ulompi laippa ja pyöröterä.

► **Kuva12:** 1. Kuusioavain 2. Akselilukko 3. Löysää 4. Kiristä

Työkaluille, jossa ei ole rengasta

► **Kuva13:** 1. Kuusiopultti 2. Ulkolaippa 3. Pyörösahanterä 4. Sisälaippa

Työkaluille, jossa on rengas

► **Kuva14:** 1. Kuusiopultti 2. Ulkolaippa 3. Pyörösahanterä 4. Rengas 5. Sisälaippa

Sahanterä kiinnitetään irrottamiseen nähden päinvas-taisessa järjestyksessä.

Työkalu, jossa on jokin muu kuin 15,88 mm:n reiällä varustetulle terälle tarkoitettu sisälaippa

Sisälaipan ulkoneman halkaisija on erilainen eri puo- lilla laippaa. Valitse se puoli, jonka ulkonema sopii sahan- terän reikään. Kiinnitä sisälaippa sitten asennusakseliin siten, että haluamasi sisälaipan uloke osoittaa ulospäin, ja aseta sahanterä ja ulkolaippa paikalleen.

► **Kuva15:** 1. Asennusakseli 2. Sisälaippa 3. Pyörösahanterä 4. Ulkolaippa 5. Kuusiopultti

VAROITUS: MUISTA KIRISTÄÄ KUUSIOPULTTI MYÖTÄPÄIVÄÄN TIUKASTI. Varo myös kiristämästä pulttia väkisin. Kätesi lipsahta- minen kuusioavaimesta voi aiheuttaa tapaturman.

VAROITUS: Varmista, että sisälaipan ulospäin osoittava ulkonema "a" sopii tarkasti sahanterän reikään "a". Terän asentaminen väärälle puolelle saattaa aiheuttaa vaarallista tärinää.

Työkalu, jossa on 15,88 mm:n reiällä varustettuun sahanterään sopiva sisälaippa (maakohtainen)

Kiinnitä sisälaippa akseliin siten, että sen syvennys on ulospäin, ja aseta sitten sahanterä (tarvittaessa ren- kaan kanssa), ulkolaippa ja kuusiopultti paikalleen.

Työkaluille, jossa ei ole rengasta

► **Kuva16:** 1. Asennusakseli 2. Sisälaippa 3. Pyörösahanterä 4. Ulkolaippa 5. Kuusiopultti

Työkaluille, jossa on rengas

► **Kuva17:** 1. Asennusakseli 2. Sisälaippa 3. Pyörösahanterä 4. Ulkolaippa 5. Kuusiopultti 6. Rengas

VAROITUS: MUISTA KIRISTÄÄ KUUSIOPULTTI MYÖTÄPÄIVÄÄN TIUKASTI. Varo myös kiristämästä pulttia väkisin. Kätesi lipsahta- minen kuusioavaimesta voi aiheuttaa tapaturman.

VAROITUS: Jos rengasta tarvitaan terän sovittamiseen karalle, varmista aina, että sisä- ja ulkolaippojen väliin on asennettu käytettävän terän akselin reikään sopiva rengas. Vääränlaisen renkaan käyttäminen voi aiheuttaa terän virheellisen kiinnityksen, jolloin terä pääsee liikkumaan ja tärisee voimakkaasti, minkä seurauksena voi olla työkalun hallinnan menetys ja vakava henkilövahinko.

Teräsuojuksen puhdistus

Muista pyörösahanterän vaihdon yhteydessä puhdistaa terän ylä- ja alasuojus niihin kertyneestä sahanpurusta Kunnossapito-kohdassa kuvatulla tavalla. Tarkista näistä toimenpiteistä huolimatta aina alasuojuksen toiminta ennen jokaista käyttökertaa.

Kuusioavaimen varastointi

► **Kuva18:** 1. Kuusioavain

Säilytä kuusioavainta kuvan osoittamassa paikassa, ettei se pääse katoamaan.

Pölynimurin kytkeminen

Lisävaruste

Jos haluat tehdä leikkutyön siististi, kytke työkaluusi Makita-pölynimuri. Kytke pölynimurin letku pölysuuttimen kuvan osoittamalla tavalla.

► **Kuva19:** 1. Pölysuutin 2. Ruuvi

► **Kuva20:** 1. Letku 2. Pölynimuri

TYÖSKENTELY

▲HUOMIO: Työnnä työkalua kevyesti suoraan eteenpäin. Työkalun pakottaminen tai vääntäminen johtaa moottorin ylikuumentumiseen ja voi aiheuttaa vaarallisen takapotkun ja vakavia vammoja.

► **Kuva21**

Ota koneesta luja ote. Laitteessa on sekä etu- että takakahva. Tartu sahaan molemmista. Jos pidät kiinni työkalusta molemmin käsin, et voi loukata käsiä terään. Aseta leikkurin pohja leikattavan työkappaleen päälle ilman, että pyörösahanterä koskee työkappaleeseen missään kohdassa. Käynnistä sitten työkalu ja odota, kunnes terä saavuttaa täyden nopeuden. Siirrä nyt työkalua eteenpäin työkappaleen pinnan yli pitämällä sitä tasaisena ja edeten sillä tasaisesti, kunnes sahaus on valmis.

Siistien leikkausten saavuttamiseksi, pidä sahauslinja suorana ja etenemisnopeutesi tasaisena. Jos sahaus menee vinoon, älä yritä vääntää tai pakottaa leikkuria oikeaan linjaan. Pyörösahanterä voi jumiuutua ja aiheuttaa vaarallisen takapotkun ja mahdollisesti henkilövammoja. Vapauta liipaisinkytkin ja odota, kunnes terä pysähtyy ja ota sen jälkeen työkalu pois. Kohdistu saha uuteen linjaan ja aloita uudestaan. Yritä asettaa sellaiseen kohtaan, jossa et joudu alttiiksi sahasta lentävälle purulle ja lastuille. Käytä suojalaseja vammojen välttämiseksi.

Halkaisuohjain (ohjaustulkki)

Lisävaruste

► **Kuva22:** 1. Repeämäohjain (ohjaustulkki)
2. Kiristysruuvi

Kätevän halkaisuohjaimen (ohjaustulkin) avulla voit leikata tarkasti suorassa linjassa. Siirrä halkaisuohjain tiukasti kiinni työkappaleen reunaan vasten ja kiristä se paikoilleen pohjan etuosassa olevalla ruuvilla. Näin voit myös leikata peräkkäin useita saman levyisiä kappaleita.

KUNNOSSAPITO

▲HUOMIO: Varmista aina ennen tarkastuksia ja huoltotöitä, että työkalu on sammutettu ja irrotettu virtalähteestä.

▲HUOMIO: Puhdista suojus ja varmista, ettei siihen ole kertynyt sahanpurua, joka voisi estää suojusjärjestelmän toiminnan. Jos suojusjärjestelmä on likainen, se ei ehkä toimi asianmukaisesti, mikä voi aiheuttaa vakavia vammoja. Tehokkain puhdistustapa on käyttää paineilmaa. Jos suojuksesta lentää pölyä, muista käyttää asianmukaisia silmä- ja hengityssuojaimia.

HUOMAUTUS: Älä koskaan käytä bensiniä, ohenteita, alkoholia tai tms. aineita. Muutoin pinta voi halkeilla tai sen värit ja muoto voivat muuttua. Muutoin laitteeseen voi tulla värjäytymiä, muodon vääristymiä tai halkeamia.

Yhdensuuntaisuuden säätäminen

► **Kuva23:** 1. Ruuvi

Tämä säätö on tehty tehtaalla. Jos säätö ei ole oikea, voit säätää sitä seuraava ohjeen mukaan.

1. Varmista, että kaikki ruuvit ja vivut on kiristetty. Löysää kuvattua ruuvia hieman.
2. Avaa alasuojusta ja siirrä pohjan takaosaa siten, että etäisyydet A ja B tulevat yhtä suuriksi.
3. Kiristä ruuvit ja tee testileikkaus tarkistaaksesi yhdensuuntaisuuden.

0°-leikkaustarkkuuden säätö

► **Kuva24:** 1. Säätöpultti

► **Kuva25:** 1. Kolmioviivain 2. Kiristysruuvi

Tämä säätö on tehty tehtaalla. Jos säätö ei ole oikea, voit säätää sitä seuraava ohjeen mukaan.

1. Löysää kiristysruuveja hieman työkalun edessä ja takana.
2. Säädä pohja kohtisuoraan terään nähden käyttäen kolmiosäätöä tai neliosäätöä säätöpulttia kiertämällä.
3. Kiristä kiristysruuvit ja tee testileikkaus tarkistaaksesi pystysuuntaisuuden.

Hiiliharjojen vaihtaminen

► **Kuva26:** 1. Rajamerkki

Tarkista hiiliharjat säännöllisesti.

Vaihda ne, kun ne ovat kuluneet rajamerkkiin asti. Pidä hiiliharjat puhtaina ja varmista, että ne pääsevät liukumaan vapaasti pidikkeissään. Molemmat hiiliharjat on vaihdettava yhtä aikaa. Käytä vain identtisiä hiiliharjoja.

1. Irrota hiiliharjanpidikkeiden kuvat ruuvimeisselillä.
2. Irrota kuluneet hiiliharjat, asenna uudet ja kiinnitä pidikkeiden kuvat.

► **Kuva27:** 1. Hiiliharjan pidikkeen kupu

Tuotteen TURVALLISUUDEN ja LUOTETTAVUUDEN takaamiseksi korjaukset, muut huoltotyöt ja säädöt on teetettävä Makitan valtuutetussa huoltopisteessä Makitan varaosia käyttäen.

LISÄVARUSTEET

⚠HUOMIO: Seuraavia lisävarusteita tai laitteita suositellaan käytettäväksi tässä ohjeessa kuvatun Makita-työkalun kanssa. Muiden lisävarusteiden tai laitteiden käyttö voi aiheuttaa henkilövahinkoja. Käytä lisävarusteita ja -laitteita vain niiden käyttötarkoituksen mukaisesti.

Jos tarvitset apua tai yksityiskohtaisempia tietoja seuraavista lisävarusteista, ota yhteys paikalliseen Makitan huoltoon.

- Pyörösahanterä
- Halkaisuohjain (ohjaustulkki)
- Kuusioavain
- Pölysuutin
- Ohjainkisko
- Viiste opas
- Puristin
- Levy
- Kumilevy
- Asetuslevy
- Ohjainkiskon sovitin
- Viivaintanko

HUOMAA: Jotkin luettelossa mainitut varusteet voivat sisältyä työkalun toimitukseen vakiovarusteina. Ne voivat vaihdella maittain.

SPECIFIKĀCIJAS

Modelis:		HS6601
Asmens diametrs		165 mm
Maks. zāģēšanas dziļums	pie 0°	54,5 mm
	pie 45°	37,5 mm
Ātrums bez slodzes		5 200 min ⁻¹
Kopējais garums		296 mm
Tīrsvars		3,7 kg
Drošības klase		II/III

- Nepārtrauktās izpētes un izstrādes programmas dēļ šeit uzrādītās specifikācijas var tikt mainītas bez brīdinājuma.
- Atkarībā no valsts specifikācijas var atšķirties.
- Svārs saskaņā ar EPTA-Procedure 01/2003

Paredzētā lietošana

Šis darbarīks ir paredzēts kokmateriālu taisnvirziena un leņķveida zāģēšanai gareniski un šķērseniski, cieši saskaroties ar apstrādājamo materiālu. Izmantojot piemērotus Makita oriģinālos zāģu asmeņus, var zāģēt arī citus materiālus.

Barošana

Darbarīks jāpievieno tikai tādām barošanas avotam, kura spriegums atbilst uz darbarīka tehnisko datu plāksnītes norādītajam, un darbarīku var izmantot tikai ar vienfāzes maiņstrāvas barošanu. Darbarīks aprīkots ar divkāro izolāciju, tādēļ to var izmantot arī, pievienojot kontaktligzdai bez iezemējuma vada.

Trokšņa līmenis

Tipiskais A svērtais trokšņa līmenis noteikts saskaņā ar EN60745:

Skaņas spiediena līmeni (L_{pA}): 87 dB (A)

Skaņas jaudas līmeni (L_{WA}): 98 dB (A)

Mainīgums (K): 3 dB (A)

BRĪDINĀJUMS: Lietojiet ausu aizsargus.

Vibrācija

Vibrācijas kopējā vērtība (trīsasu vektora summa) noteikta atbilstoši EN60745:

Darba režīms: koksnes zāģēšana

Vibrācijas izmērs ($a_{h,w}$): 2,5 m/s² vai mazāk

Mainīgums (K): 1,5 m/s²

PIEZĪME: Paziņotā vibrācijas emisijas vērtība noteikta atbilstoši standarta pārbaudes metodei un to var izmantot, lai salīdzinātu vienu darbarīku ar citu.

PIEZĪME: Paziņoto vibrācijas emisijas vērtību arī var izmantot iedarbības sākotnējā novērtējumā.

BRĪDINĀJUMS: Reāli lietojot elektrisko darbarīku, vibrācijas emisija var atšķirties no paziņotās emisijas vērtības atkarībā no darbarīka izmantošanas veida.

BRĪDINĀJUMS: Lai aizsargātu lietotāju, nosakiet drošības pasākumus, kas pamatoti ar iedarbību reālos darba apstākļos (ņemot vērā visus ekspluatācijas cikla posmus, piemēram, laiku, kamēr darbarīks ir izslēgts un kad darbojas tukšgaitā, kā arī palaišanas laiku).

EK Atbilstības deklarācija

Tikai Eiropas valstīm

Makita paziņo, ka šāds instruments(-i):

Mašīnas nosaukums: Ripzāģis

Modeļa Nr./tips: HS6601

Atbilst sekojošām Eiropas Direktīvām: 2006/42/EC

Ražots saskaņā ar šādu standartu vai normatīvajiem dokumentiem: EN60745

Tehniskā lieta saskaņā ar 2006/42/EC ir pieejama:

Makita, Jan-Baptist Vinkstraat 2, 3070, Beļģija
24.4.2015



Yasushi Fukaya

Direktors

Makita, Jan-Baptist Vinkstraat 2, 3070, Beļģija

Vispārīgi elektrisko darbarīku drošības brīdinājumi

BRĪDINĀJUMS: Izlasiet visus drošības brīdinājumus un visus norādījumus. Brīdinājumu un norādījumu neievērošanas gadījumā var rasties elektriskās strāvas trieciens, ugunsgrēks un/vai nopietnas traumas.

Glabājiet visus brīdinājumus un norādījumus, lai varētu tajos ieskatīties turpmāk.

Termins „elektrisks darbarīks” brīdinājumus attiecas uz tādu elektrisko darbarīku, ko darbina ar elektrību (ar vadu), vai tādu, ko darbina ar akumulatoru (bez vada).

Drošības brīdinājumi ripzāģim

Zāģēšanas procedūras

1. **⚠BĪSTAMI:** Netuviniet rokas griešanas zonai un asmenim. Otru roku turiet uz palīgrokura vai motora korpusa. Ja turat zāģi ar abām rokām, asmens tās nevar sagriezt.
2. **Nesniedzieties zem apstrādājamā materiāla.** Aizsargs neaizsargā no asmens zem apstrādājamā materiāla.
3. **Noregulējiet griešanas dziļumu atbilstoši apstrādājamā materiāla biezumam.** Zem apstrādājamā materiāla jābūt redzamam nedaudz mazāk nekā veselam zāģa zobam.
4. **Apstrādājamo gabalu nekad neturiet rokās vai pār kāju. Apstrādājamo materiālu piestipriniet stabilai platformai.** Materiālu ir svarīgi pareizi nostiprināt, lai mazinātu apdraudējumu ķermenim, asmens iekļīšanās vai kontroles zuduma risku.

► Att.1

5. **Veicot darbību, kuras laikā griezējinstrumentu var pieskarties slēptam vadam vai savam vadam, mehanizēto darbarīku turiet tikai aiz izolētām virsmām.** Saskare ar vadu zem sprieguma var nodot spriegumu mehanizētā darbarīka metāla daļām, un operators var saņemt elektriskās strāvas triecienu.
6. **Zāģējot gareniski, vienmēr izmantojiet garenzāģēšanas ierobežotāju vai aizsargu ar taisnām malām.** Tas uzlabo zāģēšanas precizitāti un mazina asmens iekļīšanās iespēju.
7. **Vienmēr izmantojiet asmeņus jeb zāģripas ar pareizu izmēra un formas (romba vai apaļas) vārpstas stiprinājuma atverēm.** Asmeņi, kas neatbilst zāģa uzstādīšanas sastāvdaļām, darboies nepareizi, izraisot kontroles zudumu.
8. **Nekādā gadījumā nelietojiet bojātas vai neatbilstošas asmens starplikas vai skrūvi.** Asmens paplāksnes un skrūves ir speciāli paredzētas konkrētajam zāģim, lai sniegtu optimālu darba izpildi un drošību.

Atsitiens iemesli un ar to saistīti brīdinājumi

- atsitiens ir pēkšņa pretkustība pēc zāģa asmens iesprūšanas, iekļīšanās vai nepareizas novietošanās, liekot zāģim nekontrolēti pacelties un izvīzīties no apstrādājamā materiāla operatora virzienā;
- kad asmens cieši iesprūst vai iekļījas starp iezāģējumu, kas sakļaujas, asmens apstājas, un dzinēja pretkustība liek aparātam strauji atlēkt atpakaļ operatora virzienā;
- ja asmeni iezāģējumā saspiež vai nepareizi novieto, zobi asmens aizmugurējā malā var ieurbties koka virsmā, liekot asmenim izvīzīties no iezāģējuma un atlēkt atpakaļ operatora virzienā.

Atsitiens rodas zāģa nepareizas lietošanas un/vai nepareizas darbības vai apstākļu rezultātā, un no tā var izvairīties, veicot piemērotus drošības pasākumus, kā tālāk norādīts.

1. **Ar abām rokām spēcīgi turiet zāģi, rokas novietojot tā, lai spētu pretoties atsitiens spēkam.** Turiet asmeni vienā ķermeņa pusē, bet neturiet vienā līnijā ar ķermeņa vidusdaļu. Atsitiens var likt zāģim atlēkt atpakaļ, taču atsitiens spēku operators var kontrolēt, ja veic piemērotus drošības pasākumus.
2. **Ja asmens iekļījas vai kāda iemesla dēļ neļauj pabeigt zāģēšanu, atlaidiet mēlīti un nekustinot turiet zāģi materiālā, kamēr asmens pilnībā apstājas.** Nekad neņemiet zāģi ārā no materiāla un nevirziet to atpakaļ, ja asmens kustas, jo tā var izraisīt atsitienu. Pārbaudiet un koriģējiet, lai novērstu asmens iekļīšanās cēloņus.
3. **Atsākot zāģa darbību apstrādājamajā materiālā, novietojiet asmeni iezāģējuma centrā un pārbaudiet, vai zāģa zobi nesaskaras ar materiālu.** Ja zāģa asmens ir iekļīējies, tas var palēkties vai atsīties no apstrādājamā materiāla, atsākot zāģa darbību.
4. **Atbalstiet lielus gabalus, lai samazinātu asmens iesprūšanu vai atsitienu.** Lielī gabali bieži vien zem sava svara ieliecas. Atbalsti jānovieto abās pusēs zem gabala, blakus griezumam līnijai un blakus gabala malai.

► Att.2

► Att.3

5. **Neizmantojiet neasus vai bojātus asmeņus.** Neuzasināts vai nepareizi uzstādīts asmens veido šauru iezāģējumu, kas rada pārmērīgu berzi, asmens iekļīšanās vai atsitienu.
6. **Pirms sākt zāģēt pārliecinieties, vai asmens dziļuma un slīpuma regulēšanas sviras ir ciešas un nostiprinātas.** Ja noregulētais asmens griešanas laikā pārvietojas, tas var iekļīties un izraisīt atsitienu.
7. **Īpaši uzmanieties, zāģējot jau esošās sienās vai citās aizsegtās vietās.** Caurejošais asmens var ietriekties priekšmetos, kas var izraisīt atsitienu.
8. **VIENMĒR stingri turiet darbarīku ar abām rokām. NEKAD nenovietojiet savu galvu, kāju vai jebkuru savu ķermeņa daļu zem darbarīka pamatnes vai aiz zāģa, īpaši, kad zāģējat šķēršām.** Ja ir atsitiens, zāģis var atlēkt atpakaļ virs jūsu rokas, radot smagu traumu.

► Att.4

9. **Nekad nespiediet zāģi. Virziet zāģi uz priekšu tādā ātrumā, lai asmens zāģētu bez palēnināšanās.** Ja spēcīgi spiedīsiet zāģi, zāģējumi būs nevienmērīgi, neprecīzi un radīsies atsitiens risks.

Aizsarga funkcionēšana

1. **Pirms katras lietošanas reizes pārbaudiet, vai apakšējais aizsargs aizveras pareizi. Nelietojiet zāģi, ja apakšējais aizsargs nevirzās brīvi un nekavējoties neaizveras. Nekad nepiestipriniet un nepiesieniet apakšējo aizsargu atvērta stāvoklī.** Ja zāģis neļauši nokrīt, apakšējais aizsargs var salocīties. Paceliet apakšējo aizsargu ar ievilkšanas rokturi un pārliecinieties, ka tas virzās

brīvi un nepieskaras asmenim vai citai daļai visos griezumā leņķos un dziļumos.

2. **Pārbaudiet apakšējā aizsarga atsperes darbību.** Ja aizsargs un atspere nedarbojas pareizi, tie pirms lietošanas jāsalabo. Apakšējais aizsargs var darboties lēni bojātu daļu, sveķu nosēdumu vai uzkrājušos grūžu dēļ.
3. **Apakšējais aizsargs jāizvelk manuāli tikai īpašas zāģēšanas nolūkā, piemēram, „iezāģējumu” un „kombinētu zāģējumu” gadījumā.** Paceliet apakšējo aizsargu ar ievilkšanas rokturi un, tiklīdz asmens nokļūst materiālā, atlaidiet apakšējo aizsargu. Visu citu zāģēšanas darbu gadījumā apakšējam aizsargam jādarbojas automātiski.
4. **Pirms novietot zāģi uz sola vai grīdas, vienmēr pārbaudiet, vai apakšējais aizsargs nosedz asmeni.** Neaizsargāts asmens, kas kustas pēc inerces, virzīs zāģi atpakaļ, sagriežot visu, kas ir tā ceļā. Atcerieties, ka pēc slēdža atlaišanas asmenim nepieciešams laiks, lai apstātos.
5. **Lai pārbaudītu apakšējo aizsargu, atveriet to ar roku, tad atlaidiet un novērojiet, kā tas aizveras.** Pārbaudiet arī, vai ievilkšanas rokturis nepieskaras darbarīka korpusam. Neizsegts asmens ir LŪTI BĪSTAMS un var radīt smagas traumas.

Papildu drošības brīdinājumi

1. **Ievērojiet sevišķu piesardzību, zāģējot mitru koksnī, ar spiedienu apstrādātu zāģmateriālu vai zarus.** Noregulējiet zāģēšanas ātrumu tā, lai darbarīks vienmērīgi palielinātu ātrumu, nesamazinot asmens ātrumu un nepieļaujot asmens malu pārkaršanu.
2. **Neņemiet nost sagrieztu materiālu, kamēr asmens griežas.** Pirms sazāģētā materiāla satveršanas nogaidiet, līdz asmens apstājas. Asmeņi pēc darbarīka izslēgšanās turpina kustēties pēc inerces.
3. **Negrieziet naglas.** Pirms zāģēšanas pārbaudiet, vai zāģmateriālā nav naglu, un tās izņemiet.
4. **Zāģa pamata platāko daļu novietojiet uz tās apstrādājamā materiāla daļas, kas ir cieši atbalstīta, nevis uz daļas, kas pēc nogriešanas nokrītīs.** Ja apstrādājamais materiāls ir īss vai mazs, piestipriniet to. **NETURIET ĪSOS GABALUS ROKĀS!**

► Att.5

5. **Pirms nolaist darbarīku, pabeidzot zāģēšanu, pārliecinieties, ka apakšējais aizsargs ir aizvēries un asmens ir pilnībā apstājis.**
6. **Nekad nezāģējiet, ja ripzāģis skrūvspīlēs iestiprināts otrādi.** Tas ir ārkārtīgi bīstami un var izraisīt smagus negadījumus.

► Att.6

7. **Daži materiāli satur ķīmiskas vielas, kas var būt toksiskas.** Izvairieties no putekļu ieelpošanas un to nokļūšanas uz ādas. Ievērojiet materiāla piegādātāja drošības datus.
8. **Nemēģiniet apstādināt asmeņus, no sāniem spiežot uz zāģa asmens.**
9. **Neizmantojiet abrazīvās ripas.**
10. **Izmantojiet tikai tāda diametra zāģa asmeņus, kas ir norādīts uz darbarīka vai rokasgrāmatā.**

Izmantojot nepareiza izmēra asmeni, var būt traucēta asmens pareiza aizsardzība vai aizsarga darbība, kas var izraisīt nopietnus ievainojumus.

11. **Uzturiet asmeni asu un tīru.** Ja asmeņiem pielipuši sveķi un koka darva, zāģa darbība kļūst lēnāka un atsitiena risks palielinās. Rūpējieties, lai asmens būtu tīrs, vispirms to noņemot nost no darbarīka, tad notīrot ar sveķu un darvas tīrītāju, karstu ūdeni vai petroleju. Nekad neizmantojiet benzīnu.
12. **Lietojot darbarīku, izmantojiet putekļu masku un ausu aizsargus.**

SAGLABĀJIET ŠOS NORĀDĪJUMUS.

▲BRĪDINĀJUMS: NEPIEĻAUJIET to, ka labu iemaņu vai izstrādājuma labas pārzināšanas (darbarīku atkārtoti ekspluatējot) rezultātā vairs stingri neievērojat šī izstrādājuma drošības noteikumus. NEPAREIZI LIETOJOT darbarīku vai neievērojot šajā instrukciju rokasgrāmatā minētos drošības noteikumus, var tikt gūtas smagas traumas.

FUNKCIJU APRAKSTS

▲UZMANĪBU: Pirms regulējat vai pārbaudāt darbarīka darbību, vienmēr pārliecinieties, ka darbarīks ir izslēgts un atvienots no barošanas.

Griezumā dziļuma regulēšana

▲UZMANĪBU: Pēc frēzēšanas dziļuma noregulēšanas vienmēr cieši pievelciet sviru.

► Att.7: 1. Svira

Atlaidiet dziļuma vadītākas sviru un pamatni pārvietojiet uz augšu vai uz leju. Pamatni nostipriniet vēlamajā zāģēšanas dziļumā, pievelkot sviru. Lai zāģēšana būtu tīrāka un drošāka, uzstādiēt zāģēšanas dziļumu tā, lai ne vairāk kā viens asmens zobs būtu redzams zem apstrādājamā materiāla. Izmantojot pareizu zāģēšanas dziļumu, iespējams samazināt bīstamus ATSITIENUS, kas var izraisīt ievainojumus.

Slīpā zāģēšana

► **Att.8:** 1. Spīlējuma skrūve 2. Slīpleņķa skalas plāksne

► **Att.9:** 1. Saspiedēja skrūve

Atlaidiet saspiedēja skrūves. Iļestatiet vēlamo leņķi (no 0° līdz 45°), attiecīgi sasverot, tad cieši pievelciet saspiedēja skrūves.

Mērķēšana

► **Att.10:** 1. Zāģēšanas līnija (0° stāvoklis)
2. Zāģēšanas līnija (45° stāvoklis)

Lai zāģētu taisni, 0° stāvokli uz pamatnes priekšējās daļas salāgojiet ar zāģēšanas līniju. Lai zāģētu 45° slīpumā, salāgojiet 45° pozīciju.

Slēdža darbība

▲BRĪDINĀJUMS: Pirms darbarīka pieslēgšanas vienmēr pārbaudiet, vai slēdža mēlīte darbojas pareizi un atlaista atgriežas stāvoklī „OFF” (izslēgts).

▲BRĪDINĀJUMS: NEKAD neizjauciet atbloķēšanas pogu, to neaplīmējiet un citādāk nepārveidojiet. Slēdzis ar izjauktu atbloķēšanas pogu var izraisīt neparedzētu darbību un radīt smagas traumas.

▲BRĪDINĀJUMS: NEKAD nelietojiet darbarīku, ja tas ieslēdzas tikai pēc slēdža mēlītes pavilkšanas un nav jānospiež atbloķēšanas poga. Slēdzis, ko nepieciešams labot, var izraisīt neparedzētu darbību un radīt nopietnus ievainojumus. PIRMS turpmākas ekspluatācijas nododiet darbarīku Makita apkopes centrā, lai to atbilstīgi saremontētu.

► **Att.11:** 1. Slēdža mēlīte 2. Atbloķēšanas poga

Lai slēdža mēlīti nevarētu pavilkt nejauši, darbarīks aprīkots ar bloķēšanas pogu. Lai iedarbinātu darbarīku, nospiediet atbloķēšanas pogu un pavelciet slēdža mēlīti. Lai apturētu darbarīku, atlaidiet slēdža mēlīti.

IEVĒRĪBAI: Nevelciet slēdža mēlīti ar spēku, neiespiežot atbloķēšanas pogu uz iekšu. Rezultātā var tikt sabojāts slēdzis.

MONTĀŽA

▲UZMANĪBU: Vienmēr pārliecinieties, ka darbarīks ir izslēgts un atvienots no barošanas, pirms veicat jebkādas darbības ar darbarīku.

Ripzāga asmens noņemšana vai uzstādīšana

▲UZMANĪBU: Pārbaudiet, vai ripzāga asmens ir uzstādīts tā, ka tā zobi vērsti augšup pret darbarīka priekšpusi.

▲UZMANĪBU: Uzstādiet vai noņemiet ripzāga asmeni tikai ar Makita uzgriežņu atslēgu.

Lai noņemtu ripzāga asmeni, nospiediet vārpstas bloķētāju līdz galam, lai asmens nevarētu griezties, un ar uzgriežņu atslēgu pretēji pulksteņrādītāju kustības virzienam atskrūvējiet sešstūru galvas skrūvi. Pēc tam izņemiet sešstūru galvas skrūvi, gredzenu (dažādās valstīs atšķiras), ārējo atloku un ripzāga asmeni.

► **Att.12:** 1. Sešstūru uzgriežņu atslēga 2. Vārpstas bloķētājs 3. Atlaišana 4. Pievilkšana

Darbarīkam bez gredzena

► **Att.13:** 1. Sešstūru galvas skrūve 2. Ārējais atloks 3. Ripzāga asmens 4. Iekšējais atloks

Darbarīkam ar gredzenu

► **Att.14:** 1. Sešstūru galvas skrūve 2. Ārējais atloks 3. Ripzāga asmens 4. Gredzens 5. Iekšējais atloks

Lai ripzāga asmeni uzstādītu, noņemšanas darbības izpildiet pretējā secībā.

Darbarīkam ar iekšējo atloku, kas paredzēts zāga asmenim, kura atvērums diametrs nav 15,88 mm

Iekšējam atlokam vienā pusē ir noteikta diametra izcilnis, bet atloka otrā pusē izcilnis ir savādāks diametrs. Izvēlieties pareizo pusi, kurā izcilnis pilnībā atbilst zāga asmens atvērumam. Iekšējo atloku uz stiprinājuma ass nostipriniet tā, lai iekšējā atloka izcilņa pareizā puse būtu ārpusē, tad uzlieciet zāga asmeni un ārējo atloku.

► **Att.15:** 1. Stiprinājuma ass 2. Iekšējais atloks 3. Ripzāga asmens 4. Ārējais atloks 5. Sešstūru galvas skrūve

▲BRĪDINĀJUMS: SEŠSTŪRU GALVAS SKRŪVI NOTEIKTI CIEŠI PIEVELCIET PULKSTEŅRĀDĪTĀJU KUSTĪBAS VIRZIENĀ.

Tāpat uzmanieties, lai nepievilktu skrūvi ar pār-mērīgu spēku. Rokas noslīdēšana no sešstūru uzgriežņu atslēgas var radīt traumu.

▲BRĪDINĀJUMS: Pārbaudiet, vai iekšējā atloka izcilnis „a”, kas atrodas ārpusē, pilnībā atbilst zāga asmens atvērumam „a”. Ja asmeni uzstādīsiet uz nepareizās puses, var rasties bīstama vibrācija.

Darbarīkam ar iekšējo atloku, kas paredzēts zāga asmenim ar atvērums diametru 15,88 mm (dažādās valstīs atšķiras)

Uz stiprinājuma ass uzstādiet iekšējo atloku ar tā padziļināto pusi uz āru, tad uzlieciet zāga asmeni (ja nepieciešams, ar piestiprinātu gredzenu), ārējo atloku un sešstūru galvas skrūvi.

Darbarīkam bez gredzena

► **Att.16:** 1. Stiprinājuma ass 2. Iekšējais atloks 3. Ripzāga asmens 4. Ārējais atloks 5. Sešstūru galvas skrūve

Darbarīkam ar gredzenu

► **Att.17:** 1. Stiprinājuma ass 2. Iekšējais atloks 3. Ripzāga asmens 4. Ārējais atloks 5. Sešstūru galvas skrūve 6. Gredzens

▲BRĪDINĀJUMS: SEŠSTŪRU GALVAS SKRŪVI NOTEIKTI CIEŠI PIEVELCIET PULKSTEŅRĀDĪTĀJU KUSTĪBAS VIRZIENĀ.

Tāpat uzmanieties, lai nepievilktu skrūvi ar pār-mērīgu spēku. Rokas noslīdēšana no sešstūru uzgriežņu atslēgas var radīt traumu.

▲BRĪDINĀJUMS: Ja asmens uzstādīšanai uz vārpstas nepieciešams gredzens, vienmēr pārbaudiet, vai starp iekšējo un ārējo atloku ir uzstādīts pareizais gredzens izmantojamā asmens vārpstas atverei. Nepareiza vārpstas atveres gredzena izmantošanas dēļ asmens var nebūt piestiprināts pareizi un tas var kustēties, radot spēcīgu vibrāciju, kas, savukārt, var izraisīt vadības zudumu darbības laikā un smagi traumēt.

Asmens aizsarga tīrīšana

Nomainot ripzāga asmeni, noteikti notīriet arī uzkrājušās zāgu skaidas no augšējā un apakšējā asmens aizsarga, kā aprakstīts sadaļā „Apkope”. Šīs darbības nevar aizvietot apakšējā aizsarga darbības pārbaudi pirms katras ekspluatācijas reizes.

Sešstūru uzgriežņu atslēgas uzglabāšana

► **Att.18:** 1. Sešstūru uzgriežņu atslēga

Kad sešstūru uzgriežņu atslēga netiek lietota, uzglabājiet to, kā parādīts zīmējumā, lai nepazaudētu.

Putekļsūcēja pievienošana

Papildu piederumi

Ja zāgējot vēlams saglabāt tīrību, darbarīkam pievienojiet Makita putekļsūcēju. Putekļu uzgalim pievienojiet putekļsūcēja šļūteni, kā parādīts attēlā.

► **Att.19:** 1. Putekļu uzgalis 2. Skrūve

► **Att.20:** 1. Šļūtene 2. Putekļsūcējs

EKSPLUATĀCIJA

⚠UZMANĪBU: Vienmēr saudzīgi virziet darbarīku uz priekšu taisnā līnijā. Ja darbarīku spēcīgi spiedīsīt vai grozīsīt, motors var pārkarst un iespējams radīt bīstamu atsitienu, kas var izraisīt smagas traumas.

► **Att.21**

Turiet darbarīku cieši. Darbarīkam ir gan priekšējais, gan aizmugurējais rokturis. Darbarīka satveršanai izmantojiet abus. Ja abām rokām tur zāģi, ripzāga asmens nevar tajās iezāgēt. Pamatni uz apstrādājamā materiāla novietojiet tā, lai ripzāga asmens ar to nesa-skartos. Tad ieslēdziet darbarīku un nogaidiet, līdz ripzāga asmens sasniedz pilnu ātrumu. Pēc tam darbarīku virziet pāri apstrādājamā materiāla virsmai, turot to līdzeni un vienmērīgi virzot uz priekšu, kamēr zāģēšana pabeigta.

Lai zāģēšana būtu precīza, saglabājiet zāģēšanas līniju taisnu un virzīšanas ātrumu vienmērīgu. Ja zāģis nezāģē paredzētajā zāģēšanas līnijā, nemēģiniet darbarīku pagriezt vai ar spēku aizstumt atpakaļ uz zāģēšanas līniju. Šāda rīcība var saliekt ripzāga asmeni, izraisot bīstamu atsitienu un potenciāli bīstamu traumu. Atļaidiet slēdzi, nogaidiet, kamēr ripzāga asmens pārstāj darboties, tad izņemiet darbarīku no zāģējuma. Darbarīku ievietojiet jaunajā zāģējuma līnijā un sāciet zāģējumu no jauna. Centieties izvairīties no tāda zāģa stāvokļa, kad skaidas un koksnes putekļi lido virzienā uz operatoru. Lai netraumētu acis, izmantojiet acu aizsarglīdzekļus.

Garenzāģēšanas ierobežotājs (vadotnes lineāls)

Papildu piederumi

► **Att.22:** 1. Garenzāģēšanas ierobežotājs (vadotnes lineāls) 2. Saspiedēja skrūve

Parocīgs garenzāģēšanas ierobežotājs ļauj zāģēt ļoti precīzi. Piebīdiet garenzāģēšanas ierobežotāju cieši pie apstrādājamā materiāla malas un nostipriniet to paredzētajā vietā ar pamatnes priekšējā daļā esošo skrūvi. Tas arī ļauj veikt vairākus zāģējumus vienādā platumā.

APKOPE

⚠UZMANĪBU: Pirms veikt pārbaudi vai apkopi, vienmēr pārliecinieties, ka darbarīks ir izslēgts un atvienots no barošanas.

⚠UZMANĪBU: Izlīdēt aizsargu, lai tajā nebūtu sakrājušos zāģa skaidu un putekļu, kas var traucēt aizsargsistēmas darbībai. Neīrta aizsargsistēma var traucēt pareizai lietošanai, kas savukārt var izraisīt smagas traumas. Visefektīvāk šo tīrīšanu var veikt ar saspiešu gaisu. Ja putekļi tiek izpūsti ārā pa aizsargu, noteikti izmantojiet piemērotu acu un elpceļu aizsardzību.

IEVĒRĪBAI: Nekad neizmantojiet gāzoliņu, benzīnu, atšķaidītāju, spirtu vai līdzīgus šķidrumus. Tas var radīt izbalēšanu, deformāciju vai plaisas.

Paralēlā stāvokļa regulēšana

► **Att.23:** 1. Skrūve

Tas izdarīts jau rūpnīcā. Taču vajadzības gadījumā regulējiet, veicot šādas darbības.

1. Pārbaudiet, vai visas sviras un skrūves ir pieskrūvētas. Nedaudz atļaidiet skrūvi, kā parādīts ilustrācijā.
2. Atverot apakšējo aizsargu, pamatnes aizmuguri pārvietojiet tā, lai attālums starp A un B būtu vienāds.
3. Pievelciet skrūves un veiciet pārbaudes griezumus, lai pārbaudītu paralēlo stāvokli.

0° griezuma precizitātes regulēšana

► **Att.24:** 1. Regulēšanas skrūve

► **Att.25:** 1. Trijstūris 2. Saspiedēja skrūve

Tas izdarīts jau rūpnīcā. Taču vajadzības gadījumā regulējiet, veicot šādas darbības.

1. Nedaudz atļaidiet saspiedēja skrūves darbarīka priekšpusē un aizmugurē.
2. Pamatni novietojiet perpendikulāri asmenim ar trijstūri vai lēkalu, griežot regulēšanas skrūvi.
3. Pievelciet saspiedēja skrūves un veiciet pārbaudes griezumus, lai pārbaudītu vertikālo stāvokli.

Ogles suku nomaiņa

► Att.26: 1. Robežas atzīme

Regulāri pārbaudiet ogles suku.

Kad ogles suku ir nolietojušās līdz robežas atzīmei, nomainiet tās. Turiet ogles suku tīras un pārbaudiet, vai tās brīvi ievietojas turētājos. Abas ogles suku jānomaina vienlaikus. Izmantojiet tikai identiskas ogles suku.

1. Lai noņemtu suku turētāja vāciņus, izmantojiet skrūvgriezi.

2. Izņemiet nolietojušās ogles suku, ievietojiet jaunas un nostipriniet suku turētāja vāciņus.

► Att.27: 1. Suku turētāja vāciņš

Lai saglabātu izstrādājuma DROŠU un UZTICAMU darbību, remontdarbus, apkopi un regulēšanu uzticiet veikt tikai Makita pilnvarotam vai rūpnīcas apkopes centram, un vienmēr izmantojiet tikai Makita rezerves daļas.

PAPILDU PIEDERUMI

⚠UZMANĪBU: Šādi piederumi un papildierīces tiek ieteiktas lietošanai ar šajā rokasgrāmatā aprakstīto Makita darbarīku. Izmantojot citus piederumus vai papildierīces, var tikt radīta traumu gūšanas bīstamība. Piederumu vai papildierīci izmantojiet tikai paredzētajam mērķim.

Ja jums vajadzīga palīdzība vai precīzāka informācija par šiem piederumiem, vērsieties savā tuvākajā Makita apkopes centrā.

- Ripzāģa asmens
- Garenzāģēšanas ierobežotājs (vadotnes lineāls)
- Sešstūru uzgriežņu atslēga
- Putekļu uzgalis
- Vadsliede
- Slīpuma virzītājs
- Skava
- Loksne
- Gumijas loksne
- Pozīcijas loksne
- Vadsliedes pāreja
- Lineāla stienis

PIEZĪME: Daži sarakstā norādītie izstrādājumi var būt iekļauti instrumenta komplektācijā kā standarta piederumi. Tie dažādās valstīs var būt atšķirīgi.

SPECIFIKACIJOS

Modelis:		HS6601
Disko skersmuo		165 mm
Maks. pjovimo gylis	0° kampu	54,5 mm
	45° kampu	37,5 mm
Be apkrovos		5 200 min ⁻¹
Bendrasis ilgis		296 mm
Grynasis svoris		3,7 kg
Saugos klasė		II/III

- Atlikame tęsinius tyrimus ir nuolat tobuliname savo gaminius, todėl čia pateikiamos specifikacijos gali būti keičiamos be įspėjimo.
- Skirtingose šalyse specifikacijos gali skirtis.
- Svoris pagal 2003/01 EPTA procedūrą

Numatytoji naudojimo paskirtis

Šis įrankis skirtas tiesiems ir nuožambiams pjūviams įvairiais kampais išilgai ir skersai pjauti, įrankiu tvirtai spaudžiant ruošinį. Naudojant tinkamus originalius „Makita“ pjovimo diskus, taip pat galima pjauti ir kitas medžiagas.

Elektros energijos tiekimas

Įrenginiui turi būti tiekiamas tokios įtampos elektros energija, kaip nurodyta duomenų lentelėje; įrenginys veikia tik su vienfazė kintamąja srove. Jie yra dvigubai izoliuoti, todėl gali būti naudojami prijungus prie elektros lizdo be žemėjimo laido.

Triukšmas

Įprastas triukšmo A lygis, nustatytas pagal EN60745:
Garso slėgio lygis (L_{pA}): 87 dB (A)
Garso galios lygis (L_{WA}): 98 dB (A)
Paklaida (K): 3 dB (A)

ĮSPĖJIMAS: Dėvėkite ausų apsaugą.

Vibracija

Vibracijos bendroji vertė (triacio vektorius suma) nustatyta pagal EN60745 standartą:
Darbo režimas: medžio pjovimas
Vibracijos emisija ($a_{h,w}$): 2,5 m/s² arba mažiau
Paklaida (K): 1,5 m/s²

PASTABA: Paskelbtasis vibracijos emisijos dydis nustatytas pagal standartinį testavimo metodą ir jį galima naudoti vienam įrankiui palyginti su kitu.

PASTABA: Paskelbtasis vibracijos emisijos dydis taip pat gali būti naudojamas preliminariai įvertinti vibracijos poveikį.

ĮSPĖJIMAS: Faktiškai naudojant elektrinį įrankį, keliamos vibracijos dydis gali skirtis nuo paskelbto dydžio, priklausomai nuo būdų, kuriais yra naudojamas šis įrankis.

ĮSPĖJIMAS: Siekdami apsaugoti operatorių, būtina įvertinkite saugos priemones, remdamiesi vibracijos poveikio įvertinimu esant faktinėms naudojimo sąlygoms (atsižvelgdami į visas darbo ciklo dalis, pavyzdžiui, ne tik kiek laiko įrankis veikia, bet ir kiek kartų jis yra išjungiamas bei kai jis veikia be apkrovų).

ES atitikties deklaracija

Tik Europos šalims

Bendrovė „Makita“ atsakingai pareiškia, kad šis įrenginys (-iai):

Mechanizmo pavadinimas: Diskinis pjūklas

Modelio Nr. / tipas: HS6601

Atitinka šias Europos direktyvas: 2006/42/EC

Yra pagaminti pagal šį standartą arba normatyvinius dokumentus: EN60745

Techninį dokumentą pagal 2006/42/EC galima gauti iš:

Makita, Jan-Baptist Vinkstraat 2, 3070, Belgija

(Belgija)

24.4.2015



Yasushi Fukaya

Direktorius

Makita, Jan-Baptist Vinkstraat 2, 3070, Belgija

(Belgija)

Bendrieji įspėjimai dirbant elektriniais įrankiais

ĮSPĖJIMAS: Perskaitykite visus saugos įspėjimus ir visą instrukciją. Nesilaikydami toliau pateiktų įspėjimų ir instrukcijų galite patirti elektros smūgi, gaisrą ir (arba) sunkų sužeidimą.

Išsaugokite visus įspėjimus ir instrukcijas, kad galėtumėte jas peržiūrėti ateityje.

Terminas „elektrinis įrankis“ pateiktuose įspėjimuose reiškia į maitinimo tinklą jungiamą (laidinį) elektrinį įrankį arba akumulatoriaus maitinamą (belaidį) elektrinį įrankį.

Įspėjimai dėl diskinio pjūklo saugos

Pjovimo darbų tvarka

1. **⚠️ PAVOJUS:** rankas laikykite kuo toliau nuo pjovimo vietos ir geležtės. Kitą ranką laikykite ant pagalbinės rankenos arba variklio korpuso. Jei pjūklą laikysite abiem rankomis, geležtė negalės jų įpjauti.
2. **Nekiškite rankų po ruošiniu.** Po ruošiniu apsauginis įtaisas negali apsaugoti jūsų nuo geležtės.
3. **Pjovimo gylį sureguliuokite pagal ruošinio storį.** Po ruošiniu turi matytis mažiau nei vienas visas geležtės dantis.
4. **Pjaunamo daikto jokia būdu nelaikykite rankose ar tarp kojų.** Ruošinį pritvirtinkite prie stabiliaus darbastalio. Labai svarbu tinkamai paremti ruošinį, kad kilų kuo mažiau pavojų kūniui, kad nelinktų geležtė ir kad neprarastumėte kontrolės.

► Pav.1

5. **Laikykite elektrinį įrankį tik už izoliuotų paviršių, jei pjovimo įrankis gali paliesti nematomas laidus.** Prisilietus prie laido, kuriuo teka srovė, įtampa bus perduota neizoliuotoms metalinėms elektrinio įrankio dalims ir operatorius gaus elektros smūgį.
6. **Darydami prapjovimo darbus, visuomet naudokite prapjovos kreiptuvą arba tiesią krašto kreipiamąją.** Taip pjūvis bus tikslesnis ir sumažės tikimybė, kad geležtė užstrigs ruošinyje.
7. **Geležtes naudokite tik su tinkamo dydžio ir formos (deimantinėmis ar apvaliomis) angomis.** Geležtės, kurios netinka montavimo pjūkle įtaisams, slinks į šalį, todėl nesuvaldysite įrankio.
8. **Niekada nenaudokite apgadintų arba netinkamų geležtės poveržlių arba varžtų.** Geležtės poveržlės ir varžtai specialiai pagaminti šiam pjūkliui, kad jis būtų optimaliai našus ir saugus.

Atatrankos priežastys ir su ja susiję įspėjimai

- Atatranka yra staigi reakcija į pjūklo geležtės įstrigimą, sulinkimą ar išsiderinimą, dėl kurių nevaldomas pjūklas pakyla ir iššoka iš ruošinio operatoriaus link;
- Jei geležtė įstringa arba smarkiai sulinksta užsidarant įpovai, geležtė stringa, o variklio reakcija staigiai nukreipia įrankį operatoriaus link;
- Jei geležtė susisuka arba išsiderina įpovoje, gali-nėje geležtės briaunoje esantys dantukai gali įlįsti į medienos paviršių ir todėl geležtė iššoks iš įpovo operatoriaus link.

Atatranka yra piktnaudžiavimo pjūklui ir (arba) netinkamų darbo procedūrų ar sąlygų rezultatas, jos galima išvengti vadovaujantis toliau nurodytomis atsargumo priemonėmis.

1. **Tvirtai laikykite pjūklą abiem rankomis, rankas laikykite taip, kad jos atlaikytų atatrankos jėgą. Stovėkite bet kurioje geležtės pusėje, bet ne**

vienoje linijoje su ja. Dėl atatrankos pjūklas gali atšokti atgal, bet operatorius gali valdyti atatrankos jėgą, jei imasi reikiamų atsargumo priemonių.

2. **Jei geležtė sulinksta arba pjovimas praukiamas dėl kitos priežasties, atleiskite gaiduką ir nejudinkite pjūklo ruošinyje, kol geležtė visiškai nesustos. Jokia būdu nemėginkite ištraukti pjūklo iš ruošinio arba traukti pjūklo atgal, kol geležtė juda, antraip įvyks atatranka.** Apžiūrėkite ir imkitės priemonių geležtės sulinkimo priežastčiai pašalinti.
3. **Įstatydami pjūklą atgal į ruošinį, pjovimo geležtę įstatykite įpovos centre ir patikrinkite, ar pjūklo dantukai nėra įstrigę ruošinyje.** Jei pjūklo geležtė linksta, ji gali pakilti arba iššokti iš ruošinio vėl įjungus pjūklą.
4. **Dideles plokštes paremkite ir taip sumažinkite pavojų, kad geležtė bus suspausta ir iššoks.** Didelės plokštes linksta dėl savo pačių svorio. Atramas reikia dėti po plokštę iš abiejų pusių, netoli pjovimo linijos ir greta plokštes briaunos.

► Pav.2

► Pav.3

5. **Nenaudokite atšipusių ar sugadintų geležčių.** Naudojant nepagaląstas arba netinkamai nustatytas geležtes gaunama siaura įpova, dėl to padidėja trintis, linksta geležtė ir kyla atatranka.
6. **Prieš atliekant pjūvį, geležtės gylis ir nuožulnumo reguliavimo-fiksavimo svirtys turi būti gerai pritvirtintos ir priveržtos.** Jei geležtės reguliavimas pasikeis pjaunant, geležtė gali sulinkti ar iššokti.
7. **Būkite ypač atsargūs, kai darote pjūvius sienose arba kitose aklinoose vietose.** Išsikišusi geležtė gali pataikyti į objektus ir nuo jų atšokti.
8. **VISUOMET tvirtai laikykite įrankį abiem rankomis. NEDĖKITE rankų, kojų ar kitos kūno dalies po įrankio pagrindu ar už pjūklo, ypač darydami kryžminius pjūvius.** Įvykus atatrankai, pjūklas gali atšokti atgal per jūsų ranką ir sunkiai sužaloti.

► Pav.4

9. **Nedirbkite pjūklui per jėgą. Stumkite pjūklą tokiu greičiu, kad geležtė pjautų nelėtėdama.** Spaudžiant pjūklą, galimi nelygūs pjūviai, tikslumo sumažėjimas ir atatranka.

Apsauginio skydo veikimas

1. **Prieš kiekvieną naudojimą patikrinkite, ar apatinis apsauginis įtaisas tinkamai užsidaro. Nenaudokite pjūklo, jei apatinis apsauginis įtaisas nejuda laisvai ir neužsidaro iš karto.** Jokia būdu neįtvirtinkite ir nepririškite apatinio apsauginio įtaiso atviroje padėtyje. Jei pjūklas netyčia išmetamas, apatinis apsauginis įtaisas gali sulinkti. Pakelkite apatinį apsauginį įtaisą atitraukdama rankena ir įsitinkite, ar jis laisvai juda ir neliečia geležtės ar kitos dalies, esant bet kokiam pjūvio kampui ir gyliui.
2. **Patikrinkite apatinio apsauginio įtaiso spyruoklės veikimą. Jei apsauginis įtaisas ir spyruoklė neveikia tinkamai, prieš naudojimą juos reikia sutvarkyti.** Apatinis apsauginis įtaisas gali veikti lėtai dėl pažeistų dalių, lipnių nuosėdų ar susikaupusių nešvarumų.

3. **Apatinį apsauginį įtaisą galima įtraukti ranka, bet tik atliekant specialius pjovimo darbus, pvz., gilius pjūvius arba sudėtinius pjūvius. Nuleiskite apatinį apsauginį įtaisą įtraukimo rankena, o kai tik diskas įpjaua medžiagą, paleiskite apatinį apsauginį įtaisą.** Darant kitus pjūvius, apatinė apsauga turi veikti automatiškai.
4. **Prieš dėdami pjūklą ant suolo ar grindų, patikrinkite, ar apatinis apsaugos įtaisas uždengia geležtę.** Nepašalinta iš inercijos judanti geležtė privers pjūklą važiuoti atgal, pjaunant viską savo kelyje. Atkreipkite dėmesį į laiką, kurio reikia, kad geležtė sustotų atleidus jungiklį.
5. **Norėdami patikrinti apatinį apsaugos įtaisą, atidarykite apatinį apsaugos įtaisą ranka, tuomet atleiskite ir stebėkite, kaip jis užsidaro. Taip pat patikrinkite, ar atitraukimo rankenėlė noliečia įrankio korpuso. Palikite diską atvirą LABAI PAVOJINGA, galima sunkiai susižeisti.**

Papildomi įspėjimai dėl saugos

1. **Būkite ypač budrūs, kai pjaunate drėgną medieną, suslėgtus rąstus arba medį su šakomis.** Vienodu greičiu stumkite įrankį pirmyn, nemažindami pjūklo greičio, kad neperkaistų pjūklo galiukai.
2. **Nemėginkite nuimti atpjautos medžiagos geležtei judant. Prieš imdami nupjautą medžiagą, palaukite, kol geležtė sustos.** Išjungus įrankį, geležtės dar sukasi iš inercijos.
3. **Nepjaukite vinių. Prieš pjudami apžiūrėkite medieną ir išimkite visas vinis.**
4. **Platesnę pjūklo pagrindo dalį dėkite ant tos ruošinio dalies, kuri gerai paremta, o ne ant tos, kuri nukris baigus pjauti. Jei ruošinys trumpas arba smulkus, suspauskite jį spaustuvais. NEMĖGINKITE LAIKYTI TRUMPO RUOŠINIO RANKA!**

► Pav.5

5. **Prieš pastatydami įrankį, kai baigėte pjauti, įsitikinkite, ar apatinis apsauginis įtaisas užsidarė, o geležtė visiškai sustojo.**
6. **Nemėginkite pjauti apskritu pjūklu apvertę jį spaustuvuose. Tai ypač pavojinga, todėl gali įvykti sunkus nelaimingas atsitikimas.**

► Pav.6

7. **Kai kuriose medžiagose esama cheminių medžiagų, kurios gali būti nuodingos. Saugokitės, kad neįkvėptumėte dulkių ir nesiliestumėte oda. Laikykitės medžiagų tiekėjo saugos duomenų.**
8. **Nestabdykite spausdami pjūklo geležtę iš šono.**
9. **Nenaudokite šlifujamųjų diskų.**
10. **Naudokite tik tokio skersmens pjovimo diską, koks yra nurodytas ant įrankio arba naudojimo instrukcijoje.** Naudojant netinkamo dydžio geležtę, ji gali būti netinkamai apsaugota arba netinkamai veiks apsauginis jos gaubtas, todėl galima sunkiai susižeisti.
11. **Geležtė turi būti aštri ir švari.** Ant geležtės esantys sukietėję sakai ar derva sulėtina pjovimą ir didina atitranskos pavojų. Valykite geležtę pirmiausia išimdami ją iš įrankio, tada nuvalydami sakų ir dervos šalinimo priemone, karštu vandeniu ar žibalu. Nenaudokite benzino.

12. **Naudodami įrankį, užsidėkite kaukę, saugančią nuo dulkių, ir klausos apsaugines priemones.**

SAUGOKITE ŠIAS INSTRUKCIJAS.

▲ ĮSPĖJIMAS: NELEISKITE, kad patogumas ir gaminio pažinimas (įgyjamas pakartotinai naudojant) susilpnintų griežtą saugos taisyklių, taikytinų šiam gaminiui, laikymąsi. Dėl NETINKAMO NAUDOJIMO arba saugos taisyklių, kurios pateiktos šioje instrukcijoje, nesilaikymo galima rimtai susižeisti.

VEIKIMO APRAŠYMAS

▲ PERSPĖJIMAS: Prieš pradėdami reguliuoti arba tikrinti įrankio veikimą, visuomet būtina išjungite įrankį ir atjunkite jį nuo maitinimo tinklo.

Pjovimo gylio reguliavimas

▲ PERSPĖJIMAS: Nustatę pjovimo gylį, visada patikimai užtvirtinkite svirtelę.

► Pav.7: 1. Svirtis

Atlaisvinkite ant gylio kreiptuvo esančią svirtelę ir slinkite pagrindą aukštyn arba žemyn. Nustatę norimą pjovimo gylį, užtvirtinkite pagrindą, užverždami svirtelę. Norėdami pjauti švariau ir saugiau, nustatykite tokį pjovimo gylį, kad už ruošinio kyšotų tik vienas disko dantis. Tinkamo pjovimo gylio pasirinkimas padeda sumažinti galimą ATATRANKOS pavojų, dėl kurios galima susižeisti.

Įstrižųjų pjūvių darymas

► **Pav.8:** 1. Suveržimo varžtas 2. Įstrižų kampų plokštelė

► **Pav.9:** 1. Suveržimo varžtas

Atlaisvinkite suveržimo varžtus. Atitinkamai pakreipdami, nustatykite norimą kampą (0–45°), tada patikimai užveržkite suveržimo varžtus.

Nutaikymas

► **Pav.10:** 1. Pjovimo linija (0° padėtis) 2. Pjovimo linija (45° padėtis)

Norėdami atlikti tiesius pjūvius, sulygiuokite pagrindą priekyje pažymėtą 0° padėtį su pjovimo linija. Norėdami atlikti įstrižuosius 45° pjūvius, su pjovimo linija sulygiuokite 45° padėtį.

Jungiklio veikimas

⚠ JSPĖJIMAS: Prieš jungdami įrenginį visada patikrinkite, ar svirtinis gaidukas gerai įsijungia, o atleistas grįžta į padėtį OFF (išjungta).

⚠ JSPĖJIMAS: NIEKADA neužklijuokite atlaisvinimo mygtuko lipnia juostele ir nepanaikinkite jo funkcijos kitomis priemonėmis. Jungiklis su užblokuotu atlaisvinimo mygtuku gali netyčia įjungti įrankį ir operatorius gali būti sunkiai sužeistas.

⚠ JSPĖJIMAS: NIEKADA nenaudokite įrankio, jei jis veikia nuspaudus tik gaiduką, tačiau nenuspaudus atlaisvinimo mygtuko. Jungiklis, kurį reikia taisyti, gali netyčia įjungti įrankį ir operatorius gali būti sunkiai sužeistas. PRIEŠ pradėdami vėl naudoti įrankį, atiduokite jį suremontuoti į „Makita“ techninės priežiūros centrą.

► **Pav.11:** 1. Gaidukas 2. Atlaisvinimo mygtukas

Atlaisvinimo mygtukas neleidžia atsitiktinai paspausti gaiduko. Jei norite įjungti įrankį, paspauskite atlaisvinimo mygtuką ir gaiduką. Norėdami įrankį išjungti, gaiduką atleiskite.

PASTABA: Negalima stipriai spausti jungiklio gaiduko, nenuspaudus atlaisvinimo mygtuko. Taip galima sugadinti jungiklį.

SURINKIMAS

⚠ PERSPĖJIMAS: Prieš ką nors darydami su įrankiu, visada patikrinkite, ar jis išjungtas, o laido kištukas ištrauktas iš elektros lizdo.

Apvalaus pjovimo disko sumontavimas arba nuėmimas

⚠ PERSPĖJIMAS: Patikrinkite, ar sumontuoto apvalaus pjovimo disko dantys įrankio priekyje nukreipti aukštyn.

⚠ PERSPĖJIMAS: Apvaliam pjovimo diskui sumontuoti arba nuimti naudokite tik „MAKITA“ veržliarakį.

Norėdami nuimti diskinio pjūklo diską, iki galo nuspaukite veleno fiksatorių, kad diskinio pjūklo diskas negalėtų sukis, ir raktu atlaisvinkite varžtą su šešiabriaune lizdine galvute, sukdami prieš laikrodžio rodyklę. Tada visiškai išsukite varžtą su šešiabriaune lizdine galvute, nuimkite žiedą (pritaikytą konkrečiai šaliai), išorinę jungę ir diskinio pjūklo diską.

► **Pav.12:** 1. Šešiabriaunis raktas 2. Veleno fiksatorius 3. Atlaisvinti 4. Priveržti

Įrankis be žiedo

► **Pav.13:** 1. Varžtas su šešiabriaune lizdine galvute 2. Išorinė jungė 3. Diskinio pjūklo diskas 4. Vidinė jungė

Įrankis su žiedu

► **Pav.14:** 1. Varžtas su šešiabriaune lizdine galvute 2. Išorinė jungė 3. Diskinio pjūklo diskas 4. Žiedas 5. Vidinė jungė

Jei norite sumontuoti diskinio pjūklo diską, atlikite nuėmimo procedūrą atvirkščia tvarka.

Įrankis su vidine jungė, skirta pjovimo diskui su kitokia nei 15,88 mm skersmens vidine anga

Vienoje vidinės jungės pusėje yra vienokio skersmens iškyša, o kitoje, kitokio skersmens iškyša. Pasirinkite tinkamą pusę, kurios iškyša idealiai tinka vidinei pjovimo disko angai. Dėkite vidinę jungę ant tvirtinimo veleno taip, kad vidinės jungės tinkamos pusės iškyša būtų nukreipta į išorę, paskui dėkite pjovimo diską ir išorinę jungę.

► **Pav.15:** 1. Tvirtinimo velenas 2. Vidinė jungė 3. Diskinio pjūklo diskas 4. Išorinė jungė 5. Varžtas su šešiabriaune lizdine galvute

⚠ JSPĖJIMAS: PATIKIMAI PRIVERŽKITE VARŽTĄ SU ŠEŠIABRIAUNE LIZDINE GALVUTE, SUKDAMI JĮ PAGAL LAIKRODŽIO RODYKLĘ. Tačiau neveržkite varžto per jėgą. Nuslydus rankai nuo šešiabriaunio rakto, galima susižaloti.

⚠ JSPĖJIMAS: Įsitinkinkite, ar į išorę nukreipta vidinės jungės iškyša „a“ idealiai atitinka pjovimo disko angą „a“. Uždėjus diską netinkama puse, gali atsirasti pavojinga vibracija.

Įrankis su vidine jungė, skirta pjovimo diskui su 15,88 mm skersmens vidine anga (pritaikyta konkrečiai šaliai)

Dėkite vidinę jungę ant tvirtinimo veleno taip, kad įdubusi vidinės jungės pusė būtų nukreipta į išorę, tada uždėkite pjovimo diską (jei reikia, uždėję žiedą), išorinę jungę ir įsukite varžtą su šešiabriaune lizdine galvute.

Įrankis be žiedo

► **Pav.16:** 1. Tvirtinimo velenas 2. Vidinė jungė 3. Diskinio pjūklo diskas 4. Išorinė jungė 5. Varžtas su šešiabriaune lizdine galvute

Įrankis su žiedu

► **Pav.17:** 1. Tvirtinimo velenas 2. Vidinė jungė 3. Diskinio pjūklo diskas 4. Išorinė jungė 5. Varžtas su šešiabriaune lizdine galvute 6. Žiedas

⚠️ JSPĖJIMAS: PATIKIMAI PRIVERŽKITE VARŽTĄ SU ŠEŠIABRIAUNE LIZDINE GALVUTE, SUKDAMI JĮ PAGAL LAIKRODŽIO RODYKLĘ.

Tačiau neveržkite varžto per jėgą. Nuslydus rankai nuo šešiabriaunio rakto, galima susižaloti.

⚠️ JSPĖJIMAS: Jei diskui ant veleno uždėti reikalingas žiedas, visada patikrinkite, ar tarp vidinės ir išorinės jungių uždėtas žiedas, tinkantis ketinamo naudoti disko veleno angai. Naudojant netinkamo skersmens veleno angai skirtą žiedą, diskas gali būti sumontuotas netinkamai, būti per laisvas ir stipriai vibruoti, todėl galima nesusvaldyti įrankio ir sunkiai susižaloti.

Disko apsauginio gaubto valymas

Keisdami apvalų pjovimo diską, būtina išvalykite ir viršutiniame bei apatiniame apsauginiuose disko gaubtuose susikaupusias pjūvenas, kaip nurodyta techninės priežiūros skyriuje. Visgi prieš kiekvieną naudojimą būtina patikrinkite, ar tinkamai veikia apatinis apsauginis gaubtas.

Šešiabriaunio veržliarakčio laikymas

► **Pav.18:** 1. Šešiakampis veržliaraktis

Nenaudojamą šešiabriaunį veržliarakčių laikykite taip, kaip parodyta paveikslėlyje, kad nepamestumėte.

Dulkių siurblio prijungimas

Pasirenkamas priedas

Jei norite pjauti užtikrindami švarą, prie įrankio prijunkite „Makita“ dulkių siurblių. Dulkių siurblio žarną prie dulkių surenkamojo antgalio prijunkite, kaip parodyta paveikslėlyje.

► **Pav.19:** 1. Dulkių surenkamasis antgalis 2. Varžtas

► **Pav.20:** 1. Žarna 2. Dulkių siurblys

NAUDOJIMAS

⚠️ PERSPĖJIMAS: **Atsargiai tiesiai traukite įrankį į priekį.** Traukiant jėga arba sukant įrankį, variklis gali perkaisti, atsirasti pavojinga atitranka, kuri kelia pavojų sunkiai susižeisti.

► **Pav.21**

Tvirtai laikykite įrankį. Įrankyje įtaisytos priekinė ir galinė rankenos. Norėdami tvirtai laikyti įrankį, laikykite už abiejų rankenų. Jei pjūklą laikysite abiem rankomis, diskinio pjūklo diskas negalės jį įpjauti. Padėkite įrankio pagrindą ant ruošinio, kurį pjausite, taip, kad diskinio pjūklo diskas neliestų ruošinio. Įjunkite įrankį ir palaukite, kol diskinio pjūklo diskas pradės sukstis visu greičiu. Tada tiesiog stumkite įrankį ruošinio paviršiumi į priekį, laikydami lygiai ir tolygiai stumdami, kol baigsite pjauti. Kad pjūviai būtų tiesūs, išlaikykite tiesią pjovimo liniją ir tolygiai stumkite įrankį. Jei pjudami nukrypote nuo numatytos pjovimo linijos, nebandykite pasukti arba jėga gražinti įrankio į pjovimo liniją. Taip darant diskinio pjūklo diskas gali pradėti strigti, sukelti pavojingą atitrangą ir sunkiai sužaloti. Atleiskite jungiklį, palaukite,

kol diskinio pjūklo diskas sustos, ir atitraukite įrankį. Sulygiuokite įrankį pagal naują pjovimo liniją ir vėl pradėkite pjauti. Stenkitės išvengti tokios padėties, kurioje į įrenginio valdytoją nuo pjūklo lekia atplaišos ir medžio dulkės. Kad išvengtumėte sužalojimų, užsidėkite apsauginius akinius.

Prapjovos kreiptuvus (kreipiamoji liniuotė)

Pasirenkamas priedas

► **Pav.22:** 1. Prapjovos kreiptuvus (kreipiamoji liniuotė) 2. Suveržimo varžtas

Patogus prapjovos kreiptuvus leidžia padaryti labai tikslius tiesius pjūvius. Tiesiog priglauskite prapjovos kreiptuvą prie ruošinio šono ir pagrindo priekyje esančią varžtą užtvirtinkite jį tokioje padėtyje. Šis įrenginys taip pat leidžia atlikti vienodo pločio pjūvius.

TECHNINĖ PRIEŽIŪRA

⚠️ PERSPĖJIMAS: Prieš pradėdami įrankio tikrinimo arba techninės priežiūros darbus, visuomet būtina išjunkite įrankį ir atjunkite jį nuo maitinimo tinklo.

⚠️ PERSPĖJIMAS: Išvalykite apsaugą, kad neliktų susikaupusių pjūvenų ir atplaišų, kurios gali trukdyti veikti apsaugos sistemai. Nešvari apsaugos sistema gali veikti netinkamai, todėl galima sunkiai susižaloti. Norint išvalyti efektyviausiai, reikia naudoti suslėgtą orą. **Pučiant dulkes iš apsaugos, būtina naudoti tinkamas akių ir kvėpavimo takų apsaugines priemones.**

PASTABA: Niekada nenaudokite gazolino, benzino, tirpiklio, spirito arba panašių medžiagų. Gali atsirasti išblukimų, deformacijų arba įtrūkimų.

Lygiagretumo reguliavimas

► **Pav.23:** 1. Varžtas

Šis reguliavimas atliktas gamykloje. Jei įrankis išsiregulavęs, jį galite vėl sureguliuoti atlikdami toliau aprašytą procedūrą.

1. Įsitikinkite, ar visos svirtys ir varžtai yra priveržti. Šiek tiek atlaisvinkite pavaizduotą varžtą.
2. Atidarę apatinį apsauginį įtaisą, pastumkite užpakalinę pagrindo dalį taip, kad atstumai A ir B taptų lygūs.
3. Priveržkite varžtus ir pabandykite pjauti, kad patikrintumėte, ar diskas lygiagretus.

0° pjūvio tikslumo reguliavimas

► **Pav.24:** 1. Reguliavimo varžtas

► **Pav.25:** 1. Trikampė liniuotė 2. Suveržimo varžtas

Šis reguliavimas atliktas gamykloje. Jei įrankis išsiregulavęs, jį galite vėl sureguliuoti atlikdami toliau aprašytą procedūrą.

1. Šiek tiek atlaisvinkite suveržimo varžtus įrankio priekyje ir gale.

2. Naudodami trikampę arba stataus kampo liniuotę ir sukdami reguliavimo varžtą, nustatykite, kad pagrin-das būtų statmenas diskui.

3. Priveržkite suveržimo varžtus ir pabandykite pajauti, kad patikrintumėte, ar diskas vertikalus.

Anglinių šepetėlių keitimas

► **Pav.26:** 1. Ribos žymė

Reguliariai patikrinkite anglinius šepetėlius. Pakeiskite juos, kai nusidėvi iki ribos žymės. Laikykite anglinius šepetėlius švarius ir tikrinkite, ar jie laisvai įslenka į laikiklius. Abu angliniai šepetėliai turėtų būti keičiami tuo pačiu metu. Naudokite tik identiškus angli-nius šepetėlius.

1. Jei norite nuimti šepetėlių laikiklių dangtelius, pasi-naudokite atsuktuvu.

2. Išimkite sudėvėtus anglinius šepetėlius, įdėkite naujus ir įtvirtinkite šepetėlį laikiklio dangtelį.

► **Pav.27:** 1. Šepetėlio laikiklio dangtelis

Kad gaminys būtų SAUGUS ir PATIKIMAS, jį taisyti, apžiūrėti ar vykdyti bet kokią kitą priežiūrą ar derinimą turi įgaliotasis kompanijos „Makita“ techninės priežiūros centras; reikia naudoti tik kompanijos „Makita“ pagamin-tas atsargines dalis.

PASIRENKAMI PRIEDAI

⚠ PERSPĖJIMAS: Šiuos papildomus priedus arba įtaisus rekomenduojama naudoti su šioje instrukcijoje nurodytu „Makita“ bendrovės įran-kiu. Naudojant bet kokius kitus papildomus priedus arba įtaisus, gali kilti pavojus sužeisti žmones. Naudokite tik nurodytam tikslui skirtus papildomus priedus arba įtaisus.

Jeigu norite daugiau sužinoti apie tuos priedus, kreipki-tės į artimiausią „Makita“ techninės priežiūros centrą.

- Apvalus pjovimo diskas
- Prapjovos kreiptuvas (kreipiamoji liniuotė)
- Šešiakampis veržliaraktis
- Dulkių surenkamasis antgalis
- Kreipiamoji juosta
- Įstrižo pjūvio kreiptuvas
- Veržtuvas
- Lakštas
- Guminis lakštas
- Padėties nustatymo lakštas
- Kreipiamosios juostos adapteris
- Liniuotė

PASTABA: Kai kurie sąrašė esantys priedai gali būti pateikti įrankio pakuotėje kaip standartiniai priedai. Jie įvairiose šalyse gali skirtis.

TEHNILISED ANDMED

Mudel:		HS6601
Tera läbimõõt		165 mm
Max. lõikesügavus	0° juures	54,5 mm
	45° juures	37,5 mm
Koormuseta kiirus		5 200 min ⁻¹
Üldpikkus		296 mm
Netokaal		3,7 kg
Ohutusklass		□/II

- Meie pideva uuringu- ja arendusprogrammi tõttu võidakse tehnilisi andmeid muuta ilma sellest ette teatamata.
- Tehnilised andmed võivad riigiti erineda.
- Kaal EPTA-protseduuri 01/2003 järgi

Kavandatud kasutus

Tööriist on ette nähtud puidust piki- ja ristsuunaliste sirgjooneliste lõigete ja erineva nurga all faaside lõikamiseks tihedas kokkupuutes töödeldava detailiga. Sobivate Makita originaalsaeteradega saab saagida ka teisi materjale.

Vooluvarustus

Seadet võib ühendada ainult andmesildil näidatud pingega vooluvõrku ning seda saab kasutada ainult ühefaasilisel vahelduvvoolutoitel. Seadmel on kahekordne isolatsioon ning seega võib seda kasutada ka ilma maandusjuhtmeta pistikupessa ühendatult.

Müra

Tüüpiline A-korrigeeritud müratase, määratud standardi EN60745 kohaselt:

Helirõhutatase (L_{pA}): 87 dB (A)

Helivõimsuse tase (L_{WA}): 98 dB (A)

Määramatus (K): 3 dB (A)

⚠ HOIATUS: Kasutage kõrvakaitsmeid.

Vibratsioon

Vibratsiooni koguväärtus (kolmeteljeliste vektorite summa) määratud standardi EN60745 kohaselt:

Töörežiim: puidu saagimine

Vibratsiooniheide ($a_{h,w}$): 2,5 m/s² või vähem

Määramatus (K): 1,5 m/s²

MÄRKUS: Deklareeritud vibratsiooniheide väärtus on mõõdetud kooskõlas standardse testimismeetodiga ning seda võib kasutada ühe seadme võrdlemiseks teisega.

MÄRKUS: Deklareeritud vibratsiooniheide väärtust võib kasutada ka mürataseme esmaseks hindamiseks.

⚠ HOIATUS: Vibratsioonitase võib elektritööriista tegelikkuses kasutamise ajal erineda deklareeritud väärtusest olenevalt tööriista kasutamise viisidest.

⚠ HOIATUS: Rakendage operaatori kaitsmiseks kindlasti piisavaid ohutusabinõusid, mis põhinevad hinnangulisel müratasemel tegelikus töösituatsioonis (võttes arvesse tööperioodi kõiki osasid, nagu näiteks korrad, kui seade lülitatakse välja ja seade töötab tühikäigul, lisaks tööajale).

EÜ vastavusdeklaratsioon

Ainult Euroopa riikide puhul

Makita deklareerib, et alljärgnev(ad) masin(ad):

Masina nimetus: Ketassaa

Mudelid nr/tüüp: HS6601

Vastavad alljärgnevatele Euroopa Parlamendi ja

Nõukogu direktiividele: 2006/42/EC

Need on toodetud järgmiste standardite või standardi-

seeritud dokumentide kohaselt: EN60745

Tehniline fail, mis on kooskõlas direktiiviga 2006/42/EC,

on saadaval ettevõttes:

Makita, Jan-Baptist Vinkstraat 2, 3070, Belgia

24.4.2015



Yasushi Fukaya

Direktor

Makita, Jan-Baptist Vinkstraat 2, 3070 Belgia

Üldised elektritööriistade ohutushoiatused

⚠ HOIATUS: Lugege läbi kõik ohutushoiatused ja juhtnõõrid. Hoiatuste ja juhtnõõride mittejärgmine võib põhjustada elektrišokki, tulekahju ja/või tõsiseid vigastusi.

Hoidke edaspidisteks viide- teks alles kõik hoiatud ja juhtnöörid.

Hoiatustes kasutatud termini „elektritööriist“ all peetakse silmas elektriga töötavaid (juhtmega) elektritööriistu või akuga töötavaid (juhtmeta) elektritööriistu.

Ketassae ohutusnõuded

Lõikamine

1. **⚠OHT:** Hoidke käed lõikepiirkonnast ja -terast eemal. Hoidke oma teist kätt abikäepidemel või mootori korpusel. Kui tööriista hoitakse mõlema käega, siis ei satu need lõiketera ette.
2. **Ärge kummardage töödeldava detaili alla.** Piire ei kaitse teid lõiketera eest töödeldava detaili all.
3. **Reguleerige lõikesügavust vastavalt töödeldava detaili paksusele.** Töödeldava detaili all peavad olema näha lõiketera hambad vähem kui terve hamba kõrguse ulatuses.
4. **Mitte kunagi ärge hoidke lõigatavat detaili käes ega põlve peal.** Kinnitage töödeldav detail stabiilsele alusele. Oluline on tööd õigesti toetada, et minimeerida keha kaitseta jätmist, lõiketera kinnikiilumist või kontrolli kaotust.

▶ Joon.1

5. **Hoidke elektritööriista ainult isoleeritud käepidemetest, kui töötate kohtades, kus lõiketera võib kokku puutuda peidetud juhtmete või tööriista enda toitejuhtmega.** Kokkupuude voolu all oleva juhtmega võib pingestada ka elektritööriista katmata metallosad ning operaator võib saada elektrilöögi.
6. **Pikilõikamisel kasutage alati piiret või sirge serva juhikut.** See parandab lõike täpsust ja vähendab lõiketera kinnikiilumise võimalust.
7. **Kasutage alati õige suuruse ja kujuga (teemant tavalise asemel) völliakudega lõiketerasid.** Tööriista konstruktsiooniga mitteühitvad lõiketerad hakkavad liikuma ekstsentriliselt ja põhjustavad sae üle kontrolli kaotuse.
8. **Ärge kasutage kahjustunud ega nõuetele mittevastavaid lõiketera seibe ega polti.** Optimaalse töövõime ja -ohutuse tagamiseks on lõiketera seibid ja polt spetsiaalselt välja töötatud teie saele.

Tagasilöögi põhjused ja sellega seotud hoiatused

- Tagasilöök on äkiline reaktsioon kinnikiilunud, kinnipigistatud või orientatsiooni kaotanud saeterale, mis põhjustab tööriista üleskerkimist ja väljumist töödeldavast detailist operaatori poole;
- kui lõiketera on sisselõikesse tihedalt kinni pigistatud või kinni kiilunud, siis lõiketera seiskub ja mootori reaktsiooni tõttu liigub mehhanism kiiresti tagasi operaatori poole;
- kui lõiketera on sisselõikes väänunud või orientatsiooni kaotanud, võivad lõiketera tagumise serva hambad kaevuda puidu pealispinda ning põhjustada lõiketera ülespoole tõusmise sisselõikest ja pörkimise tagasi operaatori poole.

Tagasilöök on sae väärkasutuse ja/või ebaõigete tööoperatsioonide või -tingimuste tulemus, mida on võimalik vältida, kui järgitakse alljärgnevat asjakohaseid ettevaatusabinõusid.

1. **Hoidke saest mõlema käega kindlalt kinni ja seadke käsivarred asendisse, et vastu panna tagasilöögi jõududele.** Olge ükskõik kummal pool lõiketera, kuid mitte otse selle taga. Tagasilöök võib põhjustada tööriista järsu tahapoole liikumise, kuid asjakohaseid ettevaatusabinõusid järgides saab operaator tagasilöögi jõudusid kontrolli all hoida.
2. **Kui lõiketera kiilub kinni või katkestab mingil põhjusel lõikamise, vabastage päästik ja hoidke tööriista liikumatult materjalil, kuni tera on täielikult seiskunud.** Ärge kunagi püüdke saagi eemaldada töödeldavast detailist ega tõmmake saagi tahapoole, kui lõiketera liigub või esineb tagasilöögioht. Tehke kindlaks lõiketera kinnikiilumise põhjus ja kõrvaldage see.
3. **Sae taaskäivitamisel töödeldavas detailis tsentreerige saetera sisselõikes ja jälgige, et saehambad ei lõikuks materjali sisse.** Kui saetera on materjali sisse surutud, võib see sae taaskäivitamisel kerkida või töödeldavast detailist tagasilöögi anda.
4. **Lõiketera kinnikiilumise ja tagasilöögirisik minimeerimiseks toestage suured paneelid.** Suured paneelid kalduvad omaenese raskuse all painduma. Toed tuleb paigutada paneeli mõlema külje alla lõikekoha ja paneeliserva lähedale.

▶ Joon.2

▶ Joon.3

5. **Ärge kasutage nürsid ega vigastatud lõiketerasid.** Teritamata või vääralt paigaldatud lõiketerade kasutamise tulemuseks on kitsas sisselõige, mis põhjustab liigset hõõrdumist, lõiketera kinnikiilumist ja tagasilööki.
6. **Lõiketera sügavuse ja faasi reguleerimise lükustahoonavad peavad olema enne lõikamist pinguldatud ja kindlalt kinnitatud.** Kui lõiketera seadistus lõikamise ajal nihkub, võib see põhjustada kinnikiilumise ja tagasilöögi.
7. **Olge eriti ettevaatlik, kui teostate lõikeid olemasolevatesse seintesse või muudes varjatud piirkondades.** Väljaulatav lõiketera võib lõikuda objektidesse, mis võivad põhjustada tagasilöögi.
8. **Hoidke ALATI tööriista kindlalt kahe käega.** Ärge pange oma kätt, jalga ega mingit muud kehaosa KUNAGI tööriistaaluse alla ega sae taha, eriti ristlõigete tegemise ajal. Kui tekib tagasilöök, võib saag hõlpsasti hüpata tahapoole üle teie käe ja põhjustada tõsise kehavigastuse.

▶ Joon.4

9. **Ärge kunagi kasutage sae suhtes jõudu.** Lükake saagi ettepoole sellise kiirusega, et tera lõikab kiirust vähendamata. Jõu kasutamine võib põhjustada lõigete ebatasasuse, täpsuse kaotuse ja võimaliku tagasilöögi.

Piirde funktsioon

1. **Enne igakordset kasutamist kontrollige alumise piirde õiget sulgemist.** Ärge käivitage saagi, mille alumine piire ei liigu vabalt ja ei sulgu kohe. Ärge kunagi kinnitage alumist piiret klambriga ega siduge seda avatud asendisse. Kui saag on juhuslikult maha kukkunud, võib alumine piire olla paindunud. Tõstke alumist piiret väljatõmmatava käepidemel abil ja

veenduge, et see liiguks vabalt ega puudutaks lõiketera ning muid osi lõikamise kõigi nurkade ja sügavuste korral.

- Kontrollige, kas alumise piirde vedru on töökorras. Kui piire ja vedru ei tööta korrektselt, tuleb neid enne tööriista kasutamist hooldada.** Alumine piire võib töötada aeglaselt kahjustunud osade, kummisette või lõikamisjäakide kogunemise tõttu.
- Alumise piirde võib käsitsi tagasi tõmmata ainult teatud lõikamiste puhul, nagu „sukelduslõikamised“ ja „kombineeritud lõikamised“.** Tõstke alumist piiret väljatõmmatava käepideme abil ja niipea kui lõiketera siseneb materjali, tuleb alumine piire vabastada. Igasuguse muu saagimise puhul peab alumine juhik automaatselt töötama.
- Enne sae asetamist pingile või pörandale jälgige alati, et alumine piire kataks lõiketera.** Kaitsmata, vabalt liikuv tera võib põhjustada sae tahapoole liikumise ja lõikumise ükskõik millesse oma liikumisteele. Olge teadlik ajast, mis kulub lõiketera seiskumiseks pärast tööriista väljalülitamist.
- Alumise piirde kontrollimiseks avage alumine piire käega, seejärel vabastage see ja jälgige piirde sulgumist.** Kontrollige ka seda, et välja tõmmatav käepide ei puudutaks tööriista korpusi. Lõiketera katmata jätmise on VÄGA OHTLIK ning võib põhjustada tõsiseid kehavigastusi.

Lisaohutusnõuded

- Olge eriti ettevaatlik märja puidu, survetöötlemise läbinud saematerjali või oksakohtadega puidu lõikamisel.** Tagage tööriista sujuv liikumine lõiketera kiirust vähendamata, et vältida lõiketera tippude ülekuumenemist.
- Ärge püüdke eemaldada lõigatavat materjali lõiketera liikumise ajal.** Enne lõigatavast materjalist kinni haaramist oodake, kuni lõiketera seiskub. Terad liiguvad peale sae väljalülitamist vabakäiguga edasi.
- Vältige naeltesse sisselõikamist.** Enne lõikamist kontrollige saematerjali ja eemaldage sellest kõik naelad.
- Asetage saekorpuse laiemi osa töödeldava detaili selle poole peale, mis on kindlalt toetatud, mitte sinna, mis pärast lõikamist küljest ära kukub.** Kui töödeldav detail on lühike või väike, tuleb see pitskruvidega kinnitada. **ÄRGE PÜÜDKE HOIDA LÜHIKESI TÜKKE KÄEGA!**

► Joon.5

- Enne tööriista maha asetamist pärast lõikamise lõpetamist veenduge, et piire oleks suletud ja lõiketera täielikult seiskunud.**
- Ärge kunagi püüdke saagida rakises tagurpidi asendis hoitava ketassaega.** See on väga ohtlik ja võib põhjustada tõsiseid õnnetusi.

► Joon.6

- Mõned materjalid võivad sisaldada mürgiseid aineid. Võtke meetmed tolmu sissehingamise ja nahaga kokkupuute vältimiseks.** Järgige materjali tarnija ohutusteavet.
- Ärge püüdke lõiketerasid seisata neid külgsuunas surudes.**
- Ärge kasutage abriasiivkettaid.**

- Kasutage saeterade puhul ainult sellist läbimõõtu, mis on märgitud tööriistale või määratud kindlaks kasutusjuhendis.** Vale suurusega lõiketera kasutamine võib negatiivselt mõjutada lõiketera nõuetekohast kaitset või kaitsepiirde funktsioneerimist, mille tagajärjeks võib olla raske kehavigastus.
- Hoidke lõiketera terava ja puhtana.** Kõvastunud kumm ja puuvaik lõiketeradel aeglustab sae tööd ning suurendab tagasilöögi tekkimise võimalust. Hoidke lõiketera puhtana, eemaldage see esmalt tööriista küljest, seejärel puhastage seda kummi- ja puuvaigu eemaldusvahendi, kuuma vee või petrooleumiga. Ärge kunagi kasutage bensiini.
- Tööriista kasutamisel kandke tolmumaski ja kuulmiskaitsevahendeid.**

HOIDKE JUHEND ALLES.

⚠HOIATUS: ÄRGE UNUSTAGE järgida toote ohutusnõudeid mugavuse või toote (korduskasutamise saavutatud) hea tundmise tõttu. **VALE KASUTUS** või kasutusjuhendi ohutuseeskirjade eiramine võib põhjustada tervisekahjustusi.

FUNKSIONAALNE KIRJELDUS

⚠ETTEVAATUST: Kandke alati hoolt selle eest, et tööriist oleks enne reguleerimist ja kontrollimist välja lülitatud ja vooluvõrgust lahti ühendatud.

Lõikesügavuse reguleerimine

⚠ETTEVAATUST: Pärast lõikesügavuse reguleerimist pingutage hoob alati korralikult.

► Joon.7: 1. Hoob

Lõdvendage sügavusjuhikule olevat hooba ning nihutage alust üles või alla. Soovitav lõikesügavuse juures kinnitage alus, pingutades hooba.

Puhtamate ja ohutumate lõigete tegemiseks seadke lõikesügavus selliselt, et töödeldavast detailist allapoole ei ulatuks rohkem kui üks terahammas. Õige lõikesügavuse kasutamine aitab vähendada kehavigastusi põhjustada võivate ohtlike TAGASILÖÖKIDE võimalust.

Kaldlõikamine

► Joon.8: 1. Pitskruvi 2. Kaldenurga skaala

► Joon.9: 1. Kinnituskruvi

Keerake pitskruvid lahti. Seadke kallutamise teel soovitud kaldenurk (0°-45°) ja kinnitage seejärel pitskruvid korralikult.

Sihtimine

► Joon.10: 1. Lõikejoon (0° positsioon) 2. Lõikejoon (45° positsioon)

Sirgete lõigete puhul joondage 0° positsioon aluse ees oma lõikejoonega. 45° kaldlõigete tegemiseks seadke sellega kohakuti 45° positsioon.

Lüliti funktsioneerimine

⚠️HOIATUS: Kontrollige alati enne tööriista vooluvõrku ühendamist, kas lüliti päästik funktsioneerib nõuete kohaselt ja liigub lahtilaskmisel tagasi väljalülitatud asendisse.

⚠️HOIATUS: Lahtilukustusnupu fikseerimine kleep-
lindi vms-ga on KEELATUD. Inaktiveeritud lahtilukustus-
nupuga lüliti võib põhjustada masina soovimatu sisselülitu-
mise, millega kaasnevad tõsised vigastused.

⚠️HOIATUS: ÄRGE kasutage KUNAGI masinat, kui see käivitub ka siis, kui lahtilukustusnupu vajutamata vajutate lihtsalt lüliti päästikut. Remonti vajav lüliti võib põhjustada masina soovimatu sisselülitumise, millega kaasnevad tõsised vigastused. ENNE edasist kasutamist viige masin parandamiseks Makita teeninduskeskusesse.

▶ **Joon.11:** 1. Lüliti päästik 2. Lahtilukustusnupp

Et vältida lüliti päästiku juhuslikku vajutamist, on tööriist lahtilukustusnupp. Tööriista käivitamiseks vajutage lahtilukustusnupp alla ja tõmmake lüliti päästikut. Vabastage lüliti päästik tööriista seiskamiseks.

TÄHELEPANU: Ärge tõmmake lüliti päästikut tugevasti ilma lahtilukustusnupu vajutamata. See võib põhjustada lüliti purunemise.

KOKKUPANEK

⚠️ETTEVAATUST: Enne tööriistal mingite tööde tegemist kandke alati hoolt selle eest, et see oleks välja lülitatud ja vooluvõrgust lahti ühendatud.

Ketassaetera eemaldamine või paigaldamine

⚠️ETTEVAATUST: Ketassaetera peab olema paigaldatud selliselt, et hambad on suunatud tööriista esiosas üles.

⚠️ETTEVAATUST: Kasutage ketassaetera paigaldamiseks ja eemaldamiseks ainult Makita mutrivõtit.

Ketassaetera eemaldamiseks vajutage võllilukk lõpuni alla, et ketassaetera ei saaks pöörelda, ning keerake kuuskantpolt mutrivõtme abil vastupäeva lahti. Seejärel eemaldage kuuskantpolt, rõngas (riigispetsiifiline), välisäärik ja ketassaetera.

▶ **Joon.12:** 1. Kuuskantvõti 2. Võllilukk 3. Vabastage 4. Pingutage

Rõngata tööriist

▶ **Joon.13:** 1. Kuuskantpolt 2. Välisäärik 3. Ketassaetera 4. Siseäärik

Rõngaga tööriist

▶ **Joon.14:** 1. Kuuskantpolt 2. Välisäärik 3. Ketassaetera 4. Rõngas 5. Siseäärik

Ketassaetera paigaldamiseks järgige eemaldamise protseduuri vastupidises järjekorras.

Tööriistale, mille siseäärik sobib muu kui 15,88 mm ava läbimõõduga saeteraga

Siseäärikul on ühel küljel kindla läbimõõduga eend ning teisel küljel teistsuguse läbimõõduga eend. Valige õige eendiga pool, mis sobib täpselt saetera avasse. Paigaldage siseäärik paigaldusvõlliile nii, et siseääriku õige eendipoollega külg jääks väljapoole, ning paigaldage siis saetera ja välisäärik.

▶ **Joon.15:** 1. Paigaldusvõll 2. Siseäärik 3. Ketassaetera 4. Välisäärik 5. Kuuskantpolt

⚠️HOIATUS: KEERAKE KUUSKANTPOLT KINDLASTI KORRALIKULT PÄRIPÄEVA KINNI. Samas jälgige, et te polti liiga suure jõuga ei pingutaks. Käte libisemine kuuskantvõtmelt võib põhjustada vigastusi.

⚠️HOIATUS: Veenduge, et siseääriku eend „a”, mis asetseb suunaga väljapoole, sobiks täpselt saetera avasse „a”. Tera paigaldamine valele küljele võib põhjustada ohtlikku vibratsiooni.

Tööriistale, mille siseäärik sobib 15,88 mm ava läbimõõduga saeteraga (riigispetsiifiline)

Paigaldage siseäärik paigaldusvõlliile, suunates taanduva osa väljapoole, ja asetage siis paika saetera (vajaduse korral kinnitatud rõngaga), välisäärik ja kuuskantpolt.

Rõngata tööriist

▶ **Joon.16:** 1. Paigaldusvõll 2. Siseäärik 3. Ketassaetera 4. Välisäärik 5. Kuuskantpolt

Rõngaga tööriist

▶ **Joon.17:** 1. Paigaldusvõll 2. Siseäärik 3. Ketassaetera 4. Välisäärik 5. Kuuskantpolt 6. Rõngas

⚠️HOIATUS: KEERAKE KUUSKANTPOLT KINDLASTI KORRALIKULT PÄRIPÄEVA KINNI. Samas jälgige, et te polti liiga suure jõuga ei pingutaks. Käte libisemine kuuskantvõtmelt võib põhjustada vigastusi.

⚠️HOIATUS: Kui tera spindlile kinnitamiseks on vajalik rõngas, veenduge alati, et sise- ja välisääriku vahele oleks paigaldatud kasutatava tera võlliavaga kokkusobiv rõngas. Vale võlliava rõnga kasutamine võib kaasa tuua tera vale paigalduse, mis põhjustab saetera lengerdamist ja tugevat vibratsiooni, mis võib omakorda põhjustada kontrolli kaotust tööriista üle ning raskeid kehavigastusi.

Terakaitse puhastamine

Ketassaetera vahetamisel puhastage kindlasti ka ülemine ja alumine löiketera kaitsepiire neile kogunenud saepurust, nagu on kirjeldatud peatükis „Hooldus”. See ei tähenda, et võiks loobuda alumise kaitsepiirde töökorras oleku kontrollimisest enne iga kasutuskorda.

Kuuskantvõtte hoiulepanek

► **Joon.18:** 1. Kuuskantvõti

Kui kuuskantvõtit ei kasutata, siis pange see joonisel näidatud moel hoiule, et vältida selle ära kadumist.

Tolmuimeja ühendamine

Valikuline tarvik

Kui soovite puhtamalt lõigata, ühendage tööriista külge Makita tolmuimeja. Ühendage tolmuimeja voolik tolmuotsakuga, nagu on joonisel näidatud.

► **Joon.19:** 1. Tolmuotsak 2. Kruvi

► **Joon.20:** 1. Voolik 2. Tolmuimeja

TÖÖRIISTA KASUTAMINE

⚠ETTEVAATUST: Liigutage tööriista kindlasti ettevaatlikult sirgjooneliselt ettepoole. Tööriista surve avaldamisel või selle väänamisel kuumeneb mootor üle ja tekib ohtlik tagasilöökk, mis võib põhjustada tõsisid vigastusi.

► **Joon.21**

Hoidke tööriistast kindlalt kinni. Sael on nii eesmine kui ka tagumine käepide. Kasutage mõlemat, et tööriista parimal moel hoida. Kui hoiate saagi mõlema käega, ei saa ketassaetera neisse lõigata. Asetage saeraam töödeldavale esemele nii, et ketassaetera seda ei puudutaks. Siis lülitage saag sisse ja oodake, kuni ketassaetera saavutab täiskiiruse. Nüüd lihtsalt lükake saagi sujuvalt ettepoole üle töödeldava eseme pinna, hoides tööriista vastu eseme pinda.

Puhaslõigete saamiseks hoidke saejoont sirgena ja töökiirust ühtlasena. Kui lõige ei järgi planeeritud lõikejoont täpselt, ärge proovige seda pöörata ja ärge suruge tööriista lõikejoonele tagasi. Kui te nii teete, võib ketassaetera kinni kiiluda ja tekitada ohtlikku tagasilööki ning tõsisid kehavigastusi. Vabastage lüliti ja oodake, kuni ketassaetera seisma jääb, ning siis eemaldage saag. Reastage tööriist uuele lõikejoonele ja hakake uuesti lõikama. Püüdke vältida asetust, mis jätab operaatort saest paiskuvate laastude ja saepuru eest kaitsetuks. Kasutage silmakaitset, et vigastusi vältida.

Piire (juhtjoonlaud)

Valikuline tarvik

► **Joon.22:** 1. Piire (juhtjoonlaud) 2. Kinnituskruvi

Käepärane piire võimaldab teha eriti täpseid ja sirgeid lõikeid. Libistage lihtsalt piire tihedalt vastu töödeldava detaili külge üles ja kinnitage see aluse esiosas oleva kruviga kohale. Samuti võimaldab see ühesuguse laiusega korduslõigete tegemist.

HOOLDUS

⚠ETTEVAATUST: Enne kontrolli- või hooldustöimingute tegemist kandke alati hoolt selle eest, et tööriist oleks välja lülitatud ja vooluvõrgust lahti ühendatud.

⚠ETTEVAATUST: Puhastage kaitsepiire sellele kogunenud saepurust ja laastudest, mis võib takistada kaitseüsteemi toimimist. Määrdund kaitseüsteem võib piirata nõuetekohast talitlust, mille tagajärjeks võib olla tõsine kehavigastus. Kõige tõhusam on kasutada puhastamiseks suruõhku. Kaitsepiirdest tolmu väljapuhumisel kasutage kindlasti nõuetekohaseid silmade ja hingamis- teede kaitsevahendeid.

TÄHELEPANU: Ärge kunagi kasutage bensiini, vedelid, alkoholi ega midagi muud sarnast. Selle tulemuseks võib olla luitumine, deformatsioon või pragunemine.

Paralleelsuse reguleerimine

► **Joon.23:** 1. Kruvi

See on tehases reguleeritud. Kui see on vale, saate seda reguleerida järgneva protseduuri eeskujul.

1. Veenduge, et kõik hoovad ja kruvid oleks kinni keeratud. Lõdvendage kergelt kruvi, nagu on joonisel näidatud.
2. Alumise piirde avamise ajal nihutage aluse tagumist osa nii, et vahekaugused A ja B muutuksid võrdseks.
3. Pingutage kruvid ja tehke paralleelsuse kontrollimiseks katselõige.

0°-lõike täpsuse reguleerimine

► **Joon.24:** 1. Reguleerimispoliit

► **Joon.25:** 1. Kolmnurkjoonlaud 2. Kinnituskruvi

See on tehases reguleeritud. Kui see on vale, saate seda reguleerida järgneva protseduuri eeskujul.

1. Vabastage tööriista ees- ja tagaosast natukene pitskruvisid.
2. Seadke kolmnurkjoonlauda või nurgikut kasutades ja reguleerimispoliti keerates alus tera suhtes risti.
3. Pingutage pitskruvid ja tehke vertikaalsuse kontrollimiseks katselõige.

Süsiharjade asendamine

► **Joon.26:** 1. Piirmärgis

Kontrollige süsiharju regulaarselt. Vahetage need välja, kui need on piirmärgini kulunud. Hoidke süsiharjad puhtad, nii on neid lihtne hoidikutesse libistada. Mõlemad süsiharjad tuleb asendada korraga. Kasutage üksnes identseid süsiharju.

1. Kasutage harjahoidikute kaante eemaldamiseks kruvikeerajat.
 2. Võtke ära kulunud süsiharjad välja, paigaldage uued ning kinnitage harjahoidikute kaaned tagasi.
- **Joon.27:** 1. Harjahoidiku vahe

Toote OHUTUSE ja TÖÖKINDLUSE tagamiseks tuleb vajalikud remonttööd ning muud hooldus- ja reguleerimistööd lasta teha Makita volitatud teeninduskeskustes või tehase teeninduskeskustes. Alati tuleb kasutada Makita varuosi.

VALIKULISED TARVIKUD

⚠ETTEVAATUST: Neid tarvikuid ja lisaseadiseid on soovitatav kasutada koos Makita tööriistaga, mille kasutamist selles kasutusjuhendis kirjeldatakse. Muude tarvikute ja lisaseadiste kasutamisega kaasneb vigastada saamise oht. Kasutage tarvikuid ja lisaseadiseid ainult otstarbekohaselt.

Saate vajaduse korral kohalikust Makita teeninduskeskusest lisateavet nende tarvikute kohta.

- Ketassaetera
- Piire (juhtjoolaud)
- Kuuskantvõti
- Tolmuotsak
- Juhtpiire
- Kaldlõike juhik
- Klamber
- Leht
- Kummileht
- Asendileht
- Juhtpiirde adapter
- Joonlaud

MÄRKUS: Mõned nimekirjas loetletud tarvikud võivad kuuluda standardvarustusse ning need on lisatud tööriista pakendisse. Need võivad riigiti erineda.

ТЕХНИЧЕСКИЕ ХАРАКТЕРИСТИКИ

Модель:		HS6601
Диаметр диска		165 мм
Макс. глубина пропила	при 0°	54,5 мм
	при 45°	37,5 мм
Число оборотов без нагрузки		5 200 мин ⁻¹
Общая длина		296 мм
Масса нетто		3,7 кг
Класс безопасности		□/□

- Благодаря нашей постоянно действующей программе исследований и разработок указанные здесь технические характеристики могут быть изменены без предварительного уведомления.
- Технические характеристики могут различаться в зависимости от страны.
- Масса в соответствии с процедурой EPTA 01/2003

Назначение

Данный инструмент предназначен для прямолинейного продольного и поперечного пиления, а также для пиления древесины под углом при наличии надежного контакта с распиливаемой деталью. При использовании соответствующих оригинальных пильных дисков Makita возможно также распиливание других материалов.

Источник питания

Данный инструмент должен подключаться к источнику питания с напряжением, соответствующим напряжению, указанному на идентификационной пластине, и может работать только от однофазного источника переменного тока. Он имеет двойную изоляцию и поэтому может подключаться к розеткам без заземления.

Шум

Типичный уровень взвешенного звукового давления (A), измеренный в соответствии с EN60745:
 Уровень звукового давления (L_{pA}): 87 дБ (A)
 Уровень звуковой мощности (L_{WA}): 98 дБ (A)
 Погрешность (K): 3 дБ (A)

⚠ ОСТОРОЖНО: Используйте средства защиты слуха.

Вибрация

Суммарное значение вибрации (сумма векторов по трем осям), определенное в соответствии с EN60745:

Рабочий режим: распиливание древесины
 Распространение вибрации ($a_{h,w}$): 2,5 м/с² или менее
 Погрешность (K): 1,5 м/с²

ПРИМЕЧАНИЕ: Заявленное значение распространения вибрации измерено в соответствии со стандартной методикой испытаний и может быть использовано для сравнения инструментов.

ПРИМЕЧАНИЕ: Заявленное значение распространения вибрации можно также использовать для предварительных оценок воздействия.

⚠ ОСТОРОЖНО: Распространение вибрации во время фактического использования электроинструмента может отличаться от заявленного значения в зависимости от способа применения инструмента.

⚠ ОСТОРОЖНО: Обязательно определите меры безопасности для защиты оператора, основанные на оценке воздействия в реальных условиях использования (с учетом всех этапов рабочего цикла, таких как выключение инструмента, работа без нагрузки и включение).

Декларация о соответствии ЕС

Только для европейских стран

Makita заявляет, что следующее устройство (устройства):

Обозначение устройства: Дисковая пила

Модель / тип: HS6601

Соответствует(-ют) следующим директивам ЕС: 2006/42/ЕС

Изготовлены в соответствии со следующим стандартом или нормативными документами: EN60745
 Технический файл в соответствии с документом 2006/42/ЕС доступен по адресу:

Makita, Jan-Baptist Vinkstraat 2, 3070, Belgium
 24.4.2015



Ясуси Фукайа (Yasushi Fukaya)

Директор

Makita, Jan-Baptist Vinkstraat 2, 3070, Belgium

Общие рекомендации по технике безопасности для электроинструментов

⚠ ОСТОРОЖНО: Ознакомьтесь со всеми инструкциями и рекомендациями по технике безопасности. Невыполнение инструкций и рекомендаций может привести к поражению электротоком, пожару и/или тяжелым травмам.

Сохраните брошюру с инструкциями и рекомендациями для дальнейшего использования.

Термин "электроинструмент" в предупреждениях относится ко всему инструменту, работающему от сети (с проводом) или на аккумуляторах (без провода).

Правила техники безопасности при эксплуатации циркулярной пилы

Процедуры резки

- ⚠ ОПАСНО:** Держите руки на расстоянии от места распила и пилы. Держите вторую руку на дополнительной ручке или корпусе двигателя. Удержание инструмента обеими руками позволит избежать попадания рук диск пилы.
 - Не наклоняйтесь под обрабатываемую деталь.** Защитный кожух не защитит вас от диска под обрабатываемой деталью.
 - Отрегулируйте глубину распила в соответствии с толщиной детали.** Под распиливаемой деталью должен быть виден почти весь зуб пилы.
 - Запрещается держать распиливаемую деталь руками и ставить ее поперек ноги. Закрепите обрабатываемую деталь на устойчивом основании.** Важно обеспечить правильную фиксацию детали для снижения до минимума риска получения травм, заклинивания диска или потери контроля.
- Рис.1
- Если при выполнении работ существует риск контакта режущего инструмента со скрытой электропроводкой или собственным шнуром питания, держите электроинструмент только за специально предназначенные изолированные поверхности. Контакт с проводом под напряжением приведет к тому, что металлические детали инструмента также будут под напряжением, что приведет к поражению оператора электрическим током.
 - Обязательно пользуйтесь направляющей планкой или направляющей с прямым краем при продольной распиловке.** Это повышает точность распила и снижает риск изгиба диска.
 - Обязательно используйте диски соответствующего размера и формы отверстий для**

оправки (ромбовидные или круглые). Диски с несоответствующим креплением будут работать эксцентрически, что приведет к потере контроля над инструментом.

- 8. Запрещается использовать поврежденные или несоответствующие биле шайбы или болт крепления.** Шайбы и болт крепления диска были специально разработаны для данной пилы с целью обеспечения оптимальных эксплуатационных характеристик и безопасности работы.

Причины отдачи и соответствующие предупреждения

- отдача - это мгновенная реакция на защемление, изгиб или нарушение соосности пильного диска, приводящая к неконтролируемому подъему пилы и ее движению из детали по направлению к оператору;
- если диск защемлен или жестко ограничивается пропилом снизу, он прекратит вращаться и реакция двигателя приведет к тому, что инструмент начнет быстро двигаться в сторону оператора;
- если диск становится изогнутым или неправильно ориентированным в распиле, зубья на задней стороне диска могут цепляться за верхнюю поверхность распиливаемой древесины, что приведет к выскакиванию диска из пропила и его движению в сторону оператора.

Отдача - это результат неправильного использования пилы и/или неправильных процедур или условий эксплуатации. Ее можно избежать, соблюдая меры предосторожности, указанные ниже.

- 1. Крепко держите пилу обеими руками и располагайте руки так, чтобы они могли справиться с отдачей.** Располагайтесь с боковой стороны циркулярной пилы, а не на одной линии с ней. Отдача может привести к отскакиванию дисковой пилы назад, однако силы отдачи могут контролироваться оператором при условии соблюдения соответствующих мер предосторожности.
- 2. При изгибании пилы или прекращении пиления по какой-либо причине отпустите триггерный переключатель и держите пилу без ее перемещения в детали до полной остановки вращения диска. Не пытайтесь вытащить пилу из распиливаемой детали или потянуть пилу назад, когда пила продолжает вращаться. Это может привести к отдаче.** Проверьте и выполните действия по устранению причины заклинивания диска.
- 3. При повторном включении пилы, когда она находится в детали, отцентрируйте диск пилы в пропиле и убедитесь, что зубья пилы не касаются распиливаемой детали.** Если диск пилы изогнется, пила может приподняться или возникнет обратная отдача при повторном запуске пилы.
- 4. Поддерживайте большие панели для снижения риска заклинивания и отдачи диска.** Большие панели провисают под собственным весом. Опоры необходимо располагать под панелью с обеих сторон, около линии распила и около края панели.

► Рис.2

► Рис.3

5. **Не используйте тупые или поврежденные диски.** Незаточенные или неправильно установленные диски приведут к узкому распилу, что вызовет чрезмерное трение, заклинивание диска и отдачу.
6. **Перед резкой необходимо крепко затянуть блокирующие рычаги глубины распила и регулировки скоса.** Если при резке регулировка диска нарушится, это может привести к заклиниванию диска и возникновению отдачи.
7. **Будьте особенно осторожны при распиливании уже имеющихся стен или иных поверхностей, недоступных для осмотра.** Выступающий диск пилы может столкнуться с предметами, которые могут вызвать отдачу инструмента.
8. **ВСЕГДА держите инструмент крепко обеими руками. НИКОГДА не помещайте свои руки, ноги или иные части тела под основание инструмента или позади пилы, особенно при выполнении поперечных распилов.** В случае отдачи пила может легко отскочить назад на вашу руку, что приведет к серьезной травме.

► Рис.4

9. **Никогда не прилагайте повышенных усилий к пиле. Двигайте пилу вперед со скоростью, которая позволяет дисковой пиле пилить без снижения скорости.** Приложение повышенных усилий к дисковой пиле может привести к неравномерному распилу, снижению точности и возможной отдаче.

Функционирование ограждения

1. **Перед каждым использованием убеждайтесь в том, что нижний защитный кожух надежно закрыт. Не эксплуатируйте пилу, если нижний защитный кожух не перемещается свободно и мгновенно не закрывается. Запрещается фиксировать нижний защитный кожух в открытом положении каким бы то ни было способом.** При случайном падении пилы кожух может погнуться. Поднимите нижний защитный кожух при помощи ручки подъема и убедитесь в его свободном перемещении и в том, что он не касается пилы или других деталей при любом угле и глубине распила.
2. **Проверьте работу пружины нижнего защитного кожуха. Если щиток и пружина не работают надлежащим образом, их необходимо отремонтировать перед использованием пилы.** Нижний защитный кожух может работать медленно из-за поврежденных деталей, отложения смол или скопления мусора.
3. **Нижний защитный кожух можно поднимать вручную только при специальных распилах, таких как “врезание” или “комплексная резка”.** Поднимите нижний кожух, отодвинув рукоятку назад; как только диск выйдет в материал, нижний защитный кожух обязательно нужно вернуть на место. При осуществлении любых других распилов нижний защитный кожух должен работать автоматически.

4. **Перед тем как положить пилу на верстак или на пол, обязательно убедитесь, что нижний защитный кожух закрывает режущий диск.** Незащищенный, вращающийся по инерции диск пилы может непреднамеренно двинуться назад, распиливая все, что попадется на пути. Помните о времени, необходимом для полной остановки пилы после отпущения выключателя.
5. **Для проверки нижнего кожуха вручную откройте нижний защитный кожух, затем отпустите и убедитесь, что он закрылся. Также убедитесь в том, что убирающаяся ручка не касается корпуса.** Открытая пила **ОЧЕНЬ ОПАСНА** и может привести к серьезной травме.

Дополнительные предупреждения о безопасности

1. **Будьте особенно осторожны при распиливании сырой, прессованной или сучковатой древесины.** Сохраняйте постоянную скорость подачи без снижения оборотов диска, чтобы избежать перегрева кромки диска.
2. **Не пытайтесь убирать отрезанные детали при вращении диска. Перед удалением распиленных деталей дождитесь полной остановки пилы.** После выключения диск будет вращаться еще некоторое время.
3. **Избегайте попадания режущего инструмента на гвозди.** Перед распиливанием осмотрите деталь и удалите из нее все гвозди.
4. **Установивайте более широкую часть основания пилы на ту часть обрабатываемой детали, которая имеет хорошую опору, а не на ту часть, которая упадет после отпиливания.** Если распиливаемая деталь короткая или маленькая, ее необходимо закрепить. **НЕ ПЫТАЙТЕСЬ УДЕРЖИВАТЬ КОРОТКИЕ ДЕТАЛИ РУКОЙ!**

► Рис.5

5. **Перед размещением пилы после завершения распила убедитесь, что нижний защитный кожух закрылся и пила полностью прекратила вращаться.**
6. **Никогда не пытайтесь осуществлять распиливание, закрепив циркулярную пилу в перевернутом виде.** Это очень опасно и может привести к серьезным травмам.

► Рис.6

7. **Некоторые материалы могут содержать токсичные химические вещества.** Примите соответствующие меры предосторожности, чтобы избежать вдыхания или контакта с кожей таких веществ. Соблюдайте требования, указанные в паспорте безопасности материала.
8. **Не пытайтесь остановить пилу путем бокового давления на пильный диск.**
9. **Не используйте абразивные круги.**
10. **Разрешается использовать только пильные диски с диаметром, соответствующим указанному на инструменте или в руководстве.** Применение диска неверного размера может препятствовать надлежащей защите диска или

мешать работе защитного кожуха, что, в свою очередь, может стать причиной серьезных травм.

11. Пилы должны быть острыми и чистыми. Смола и древесный пек, затвердевшие на пильных дисках, снижают производительность пилы и повышают потенциальный риск отдачи. Содержите пилу в чистоте. Для этого снимите ее с инструмента и очистите растворителем смолы и древесного пека, горячей водой или керосином. Запрещается использовать бензин.
12. При использовании инструмента надевайте пылезащитную маску и используйте средства защиты слуха.

СОХРАНИТЕ ДАННЫЕ ИНСТРУКЦИИ.

⚠ОСТОРОЖНО: НЕ ДОПУСКАЙТЕ, чтобы удобство или опыт эксплуатации данного устройства (полученный от многократного использования) доминировали над строгим соблюдением правил техники безопасности при обращении с этим устройством. НЕПРАВИЛЬНОЕ ИСПОЛЬЗОВАНИЕ инструмента или несоблюдение правил техники безопасности, указанных в данном руководстве, может привести к тяжелой травме.

ОПИСАНИЕ РАБОТЫ

⚠ВНИМАНИЕ: Перед регулировкой или проверкой функций инструмента обязательно убедитесь, что он выключен и его вилка вынута из розетки.

Регулировка глубины пропила

⚠ВНИМАНИЕ: После регулировки глубины реза всегда крепко затягивайте рычаг.

- Рис.7: 1. Рычаг

Ослабьте рычаг на направляющей глубины и переместите основание вверх или вниз. Установив необходимую глубину реза, закрепите основание путем затяжки рычага.

Для чистого и безопасного распиливания установите глубину пропила так, чтобы под распиливаемой деталью дисковая пила выступала не более чем на один зуб. Установка надлежащей глубины пропила снижает вероятность опасной ОТДАЧИ, которая может причинить травму.

Резка под углом

- Рис.8: 1. Зажимной винт 2. Пластина индикатора наклона

- Рис.9: 1. Зажимной винт

Ослабьте зажимные винты. Установите желаемый угол (0° - 45°), соответственно наклоняя основание, и затем надежно затяните зажимные винты.

Наведение

- Рис.10: 1. Линия разреза (положение 0°)
2. Линия разреза (положение 45°)

Для прямого пропила совместите положение 0° лицевой стороны основания с вашей линией разреза. Для реза со скосом 45° совместите положение 45° с линией распиливания.

Действие выключателя

⚠ОСТОРОЖНО: Перед включением инструмента в розетку обязательно убедитесь, что триггерный переключатель работает надлежащим образом и возвращается в положение "ВЫКЛ", если его отпустить.

⚠ОСТОРОЖНО: ЗАПРЕЩАЕТСЯ нарушать работу кнопки разблокировки, заклеивая ее скотчем или другими способами. Выключатель с неработающей кнопкой разблокировки может стать причиной случайного включения и причинения тяжелой травмы.

⚠ОСТОРОЖНО: ЗАПРЕЩАЕТСЯ использовать инструмент, когда он работает при простом нажатии на триггерный переключатель без нажатия на кнопку разблокировки. Требующий ремонта инструмент может случайно включиться и причинить тяжелую травму. Верните инструмент в сервисный центр Makita для надлежащего ремонта ДО продолжения его эксплуатации.

- Рис.11: 1. Триггерный переключатель 2. Кнопка разблокировки

Для предотвращения непреднамеренного включения триггерного переключателя имеется кнопка разблокировки. Для запуска инструмента, отпустите кнопку блокировки, затем потяните триггерный переключатель. Отпустите триггерный переключатель для остановки.

ПРИМЕЧАНИЕ: Не нажимайте сильно на триггерный переключатель без нажатия на кнопку разблокировки. Это может привести к поломке переключателя.

СБОРКА

⚠ВНИМАНИЕ: Перед проведением каких-либо работ с инструментом обязательно проверьте, что инструмент выключен, а шнур питания вынут из розетки.

Снятие или установка диска циркулярной пилы

▲ВНИМАНИЕ: Обязательно проверяйте правильность установки диска циркулярной пилы. Зубья должны смотреть вверх в передней части инструмента.

▲ВНИМАНИЕ: Для снятия или установки диска циркулярной пилы пользуйтесь только ключом Makita.

Для снятия диска циркулярной пилы полностью нажмите на замок вала, чтобы диск не вращался, и ослабьте шестигранный болт, повернув его ключом против часовой стрелки. Затем снимите болт с шестигранной головкой, кольцо (зависит от страны), внешний фланец и диск циркулярной пилы.

► **Рис.12:** 1. Шестигранный ключ 2. Фиксатор вала 3. Ослабить 4. Затянуть

Для инструмента без кольца

► **Рис.13:** 1. Болт с шестигранной головкой 2. Наружный фланец 3. Диск циркулярной пилы 4. Внутренний фланец

Для инструмента с кольцом

► **Рис.14:** 1. Болт с шестигранной головкой 2. Наружный фланец 3. Диск циркулярной пилы 4. Кольцо 5. Внутренний фланец

Установка диска циркулярной пилы выполняется в порядке, обратном процедуре снятия.

Для инструмента с внутренним фланцем под пильный диск с отверстием, размер которого не соответствует стандарту в 15,88 мм

На одной стороне внутреннего фланца имеется выступ определенного диаметра, отличающийся от диаметра выступа на противоположной стороне. Правильно выбирайте сторону, выступ на которой точно соответствует отверстию на пильном диске. Установите внутренний фланец на вал так, чтобы правильная сторона выступа на внутреннем фланце была обращена наружу, после чего установите диск и внешний фланец.

► **Рис.15:** 1. Установочный вал 2. Внутренний фланец 3. Диск циркулярной пилы 4. Наружный фланец 5. Болт с шестигранной головкой

▲ОСТОРОЖНО: ОБЯЗАТЕЛЬНО ЗАТЯНИТЕ БОЛТ С ШЕСТИГРАННОЙ ГОЛОВКОЙ ПО ЧАСОВОЙ СТРЕЛКЕ. Не перетягивайте болт. Соскальзывание руки с шестигранного ключа может стать причиной травмы.

▲ОСТОРОЖНО: Убедитесь, что наружный выступ "а" на внутреннем фланце точно входит в отверстие "а" пильного диска. Установка диска неверной стороной может привести к возникновению опасной вибрации.

Для инструмента с внутренним фланцем под пильный диск с отверстием диаметром 15,88 мм (зависит от страны)

Установите внутренний фланец на вал утопленной частью наружу, затем установите пильный диск (при необходимости – с установленным кольцом), внешний фланец и болт с шестигранной головкой.

Для инструмента без кольца

► **Рис.16:** 1. Установочный вал 2. Внутренний фланец 3. Диск циркулярной пилы 4. Наружный фланец 5. Болт с шестигранной головкой

Для инструмента с кольцом

► **Рис.17:** 1. Установочный вал 2. Внутренний фланец 3. Диск циркулярной пилы 4. Наружный фланец 5. Болт с шестигранной головкой 6. Кольцо

▲ОСТОРОЖНО: ОБЯЗАТЕЛЬНО ЗАТЯНИТЕ БОЛТ С ШЕСТИГРАННОЙ ГОЛОВКОЙ ПО ЧАСОВОЙ СТРЕЛКЕ. Не перетягивайте болт. Соскальзывание руки с шестигранного ключа может стать причиной травмы.

▲ОСТОРОЖНО: Перед установкой диска на шпиндель всегда проверяйте, что между внутренним и внешним фланцами установлено кольцо с соответствующим отверстием для того диска, который вы собираетесь использовать. Использование неправильного кольца с отверстием может привести к неправильной установке диска, что вызовет его перемещение и сильную вибрацию, которая может стать причиной потери контроля над инструментом во время работы и причинения тяжелых травм.

Очистка ограждения диска

При замене диска циркулярной пилы убедитесь, что вы почистили верхнее и нижнее ограждение диска от скопившихся опилок в соответствии с инструкциями в разделе "Техническое обслуживание". Подобные меры не заменяют необходимость проверки нижнего защитного кожуха перед каждым использованием.

Хранение шестигранного ключа

► **Рис.18:** 1. Шестигранный ключ

Когда шестигранный ключ не используется, храните его, как показано на рисунке, чтобы не потерять.

Подключение пылесоса

Дополнительные принадлежности

При необходимости выполнения чистого распиливания подключите к вашему инструменту пылесос Makita. Подсоедините шланг пылесоса к пылесборному патрубку, как показано на рисунке.

► **Рис.19:** 1. Пылесборный патрубок 2. Винт

► **Рис.20:** 1. Шланг 2. Пылесос

ЭКСПЛУАТАЦИЯ

⚠ ВНИМАНИЕ: Осторожно перемещайте инструмент вперед по прямой линии.

Применение силы или кручение инструмента приводят к перегреву двигателя и опасному отскоку, результатом чего может стать серьезная травма.

► Рис.21

Крепко держите инструмент. Инструмент снабжен передней и задней ручками. Используйте обе ручки для удержания инструмента. Если вы держите пилу обеими руками, вы исключаете риск их травмирования пыльным диском. Установите основание циркулярной пилы на распиливаемую деталь так, чтобы пыльный диск не касался детали. Затем включите инструмент и дождитесь набора полной скорости диска циркулярной пилы. Теперь просто перемещайте инструмент вперед по распиливаемой детали, ровно держа пилу и аккуратно подавая ее вперед до полного распиливания детали.

Для чистого распиливания перемещайте инструмент вперед строго по прямой линии и с постоянной скоростью. Если при распиливании произошло отклонение от намеченной линии, не пытайтесь принудительно вернуть инструмент на линию распиливания. Это может вызвать изгиб диска циркулярной пилы и возникновение опасной отдачи, которая может привести к травме. Отпустите выключатель, дождитесь останова диска циркулярной пилы и вытащите его из распила. Заново совместите инструмент с новой линией пропила и начните распиливание снова. Старайтесь избегать положений, при которых отбрасываемые пилой опилки и древесная пыль попадают на оператора. Во избежание получения травм используйте защитные очки.

Направляющая планка (направляющая линейка)

Дополнительные принадлежности

► Рис.22: 1. Направляющая планка (направляющая линейка) 2. Зажимной винт

Удобная направляющая планка помогает вам делать исключительно точные прямые пропилы. Просто придвиньте направляющую планку к боковой поверхности обрабатываемой детали и закрепите ее в таком положении с помощью винта в передней части основания. Она позволяет также осуществлять повторное отпиливание деталей одинаковой ширины.

ОБСЛУЖИВАНИЕ

⚠ ВНИМАНИЕ: Перед проверкой или проведением техобслуживания убедитесь, что инструмент выключен, а штекер отсоединен от розетки.

⚠ ВНИМАНИЕ: Очистите ограждение, чтобы удалить скопление опилок, так как они могут ухудшить работу защитной системы. Загрязнение защитной системы может помешать ее работе и привести к тяжелым травмам. Самый эффективный способ очистки – это очистка с использованием сжатого воздуха. При удалении пыли из ограждения с помощью сжатого воздуха обязательно используйте надлежащие средства защиты органов зрения и дыхания.

ПРИМЕЧАНИЕ: Запрещается использовать бензин, растворители, спирт и другие подобные жидкости. Это может привести к обесцвечиванию, деформации и трещинам.

Регулировка параллельности

► Рис.23: 1. Винт

Данная регулировка уже выполнена на предприятии-изготовителе. Если регулировка нарушается, выполните следующую процедуру.

1. Убедитесь, что все рычаги и винты затянуты. Слегка ослабьте винт как показано на рисунке.
2. Открывайте нижнее ограждение, переместите заднюю часть основания таким образом, чтобы расстояния А и В были одинаковыми.
3. Затяните винты и выполните пробный надрез для проверки параллельности.

Точность регулировки распила под углом 0°

► Рис.24: 1. Регулировочный болт

► Рис.25: 1. Треугольная линейка 2. Зажимной винт

Данная регулировка уже выполнена на предприятии-изготовителе. Если регулировка нарушается, выполните следующую процедуру.

1. Слегка ослабьте зажимные винты в передней и задней части инструмента.
2. Обеспечьте прямой угол между поверхностью и диском с помощью треугольной или квадратной линейки. Для этого поворачивайте регулировочный болт.
3. Затяните зажимные винты и выполните пробный надрез для проверки перпендикулярности.

Замена угольных щеток

► Рис.26: 1. Ограничительная метка

Регулярно проверяйте угольные щетки. Замените, когда износ достигнет ограничительной метки. Угольные щетки всегда должны быть чистыми и свободно перемещаться в держателях. Заменяйте

обе угольные щетки одновременно. Используйте только идентичные угольные щетки.

1. Используйте отвертку для снятия колпачков держателей щеток.
2. Извлеките изношенные угольные щетки, вставьте новые и закрутите колпачков держателей щеток.

► **Рис.27:** 1. Колпачок держателя щетки

Для обеспечения БЕЗОПАСНОСТИ и НАДЕЖНОСТИ оборудования ремонт, любое другое техобслуживание или регулировку необходимо производить в уполномоченных сервис-центрах Makita или сервис-центрах предприятия с использованием только сменных частей производства Makita.

ДОПОЛНИТЕЛЬНЫЕ ПРИНАДЛЕЖНОСТИ

⚠ ВНИМАНИЕ: Данные принадлежности или приспособления рекомендуются для использования с инструментом Makita, указанным в настоящем руководстве. Использование других принадлежностей или приспособлений может привести к получению травмы. Используйте принадлежность или приспособление только по указанному назначению.

Если вам необходимо содействие в получении дополнительной информации по этим принадлежностям, свяжитесь с вашим сервис-центром Makita.

- Диск циркулярной пилы
- Направляющая планка (направляющая линейка)
- Шестигранный ключ
- Противопылевая насадка
- Направляющий рельс
- Направляющая для снятия фаски
- Зажим
- Лист
- Резиновый лист
- Позиционирующий лист
- Адаптер для шины цепной пилы
- Линейка

ПРИМЕЧАНИЕ: Некоторые элементы списка могут входить в комплект инструмента в качестве стандартных приспособлений. Они могут отличаться в зависимости от страны.

Makita Jan-Baptist Vinkstraat 2, 3070, Belgium
Makita Corporation Anjo, Aichi, Japan

www.makita.com

885452-989
EN, SV, NO, FI,
LV, LT, ET, RU
20150915